

THE FOUNTAIN CATALOG™



Speaking the language of water.™



Metric Data:

All metric data herein are conversions and are shown as rounded numbers in red type. If dimensional or performance data are critical, it is recommended that a precise conversion calculation be made.

Design Changes:

Due to a continuing product improvement program, Fountain People, Inc. reserves the right to change dimensional or performance data without notice. If these data are critical to design, it is recommended that they be confirmed with the Fountain People's Design Staff at (512)392-1155 or design@fountainpeople.com.



Table of Contents

Nozzles : 5

Fountain in a Can™ : 37

Bronzes : 45

Fountain Lighting & Accessories : 53

Fittings : 71

Controls : 85

Modular : 93

Technical & Safety : 109

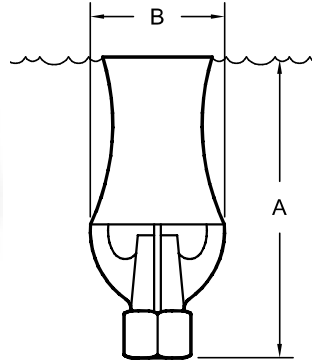


Nozzles

Geyser	: 6
Cascade	: 7
Chandelier™	: 8
Snowball™	: 9
Bubbler	: 10
Peacock™	: 11
Erupter™	: 12
Aerator	: 13
Hollow-Bore	: 14
Foam Jet	: 15
Dominator™	: 16
Jet Cluster	: 17
Precision Pod	: 18
Aerated Pod	: 19
Smooth Bore	: 20-21
Precision Jet	: 22
Water Castle	: 23
Spray Ring	: 24-25
Arch Jet	: 26
Finger Jet	: 27
Fan Jet	: 27
Mushroom Jet	: 28
Crystal Dome	: 28
Morning Glory	: 29
Clear Sheet Bar	: 30-31
Dandelion	: 32-33
Scupper	: 34
Decorative Wall Font	: 34
Swivels	: 35

Water Effect: Creates a highly aerated “pine tree” shaped geyser of water.

Performance Characteristics: The Geyser is a water level dependent effect that is subject to creating wave action in a pool. When used in smaller or symmetrical pools, a wave baffle is recommended (see pg. 82).



- **Water Level Dependent** - Yes
- **Wind Resistance** - Very Good
- **Sound Level** - High
- **Clogging Potential** - Low
- **Splash Radius** - 1.5

Material: Machined cast bronze

Finish: Natural bronze

Model Number	Feet Meters	Spray Height									
		2	4	6	8	10	12	15	20	25	30
N-150	GPM	17	22	27	31	36					
	Head Ft.	11	19	25	32	38					
	Spread - Ft.	1	2	3	4	4.5					
	LPM	65	84	103	118	137					
	Bar	.329	.568	.747	.957	1.14					
	Spread - m	.30	.61	.91	1.22	1.37					
N-152	GPM		35	43	47	55	60	68			
	Head Ft.		13	20	25	30	36	44			
	Spread - Ft.		2	3	4	4.5	4.5	5			
	LPM		133	163	178	209	228	258			
	Bar		.389	.598	.747	.897	1.08	1.32			
	Spread - m		.61	.91	1.22	1.37	1.37	1.52			
N-154	GPM		110	132	155	170	182	205	225	240	255
	Head Ft.		16	23	30	37	46	57	74	90	110
	Spread - Ft.		2	3	4.5	5.5	6	7	8.5	10	11
	LPM		417	500	587	644	689	776	852	909	966
	Bar		.478	.688	.897	1.11	1.38	1.70	2.21	2.69	3.29
	Spread - m		.61	.91	1.22	1.68	1.83	2.13	2.59	3.05	3.35

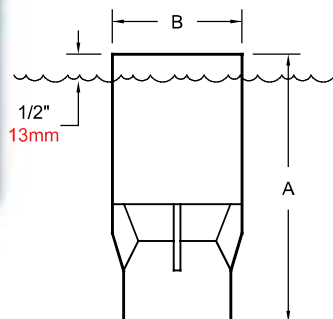
Highlighted values denote optimum performance.

Model Number	NPT Inlet ¹	Dimensions			
		A Inches	B Inches	A mm	B mm
N-150	3/4"	6 3/4	3	172	76
N-152	1 1/2"	9	4	229	102
N-154	3"	17 1/2	8	445	203

1. To specify British Standard Pipe Threads, add suffix **-BSP** to Catalog Number.

Water Effect: Creates a highly aerated cone of water.

Performance Characteristics: The Cascade is a water level dependent effect that is subject to creating wave action in a pool. When used in smaller or symmetrical pools, a wave baffle is recommended (see pg. 82).



- **Water Level Dependent** - Yes
- **Wind Resistance** - Very Good
- **Sound Level** - High
- **Clogging Potential** - Low
- **Splash Radius** - 1.5

Material: Machined brass

Finish: Natural brass



Model Number	Feet Meters	Spray Height								
		1	2	4	6	8	10	15	20	25
EAC-100B	GPM	15	21	29	37					
	Head Ft.	12	21	35	51					
	Spread - Ft.	.75	1	2	3					
	LPM	57	80	110	140					
	Bar	.359	.628	1.05	1.52					
	Spread - m	.23	.30	.61	.91					
EAC-150B	GPM			48	60	65	70			
	Head Ft.			36	55	62	71			
	Spread - Ft.			2	3	4	4.5			
	LPM			182	227	246	265			
	Bar			1.08	1.64	1.85	2.12			
	Spread - m			.61	.91	1.22	1.37			
EAC-200B	GPM			70	74	80	88	100		
	Head Ft.			21	29	37	45	55		
	Spread - Ft.			2	2.5	3	3.5	4.5		
	LPM			265	280	303	333	379		
	Bar			.628	.867	1.11	1.35	1.64		
	Spread - m			.61	.76	.91	1.07	1.37		
EAC-300B	GPM			110	127	142	162	190	220	240
	Head Ft.			14	19	28	37	53	72	80
	Spread - Ft.			2.5	2.75	3	3.5	5	8	11
	LPM			417	481	538	614	720	833	909
	Bar			.418	.568	.837	1.11	1.58	2.15	2.39
	Spread - m			.76	.84	.91	1.07	1.52	2.44	3.35

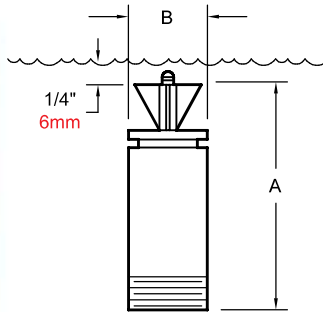
Highlighted values denote optimum performance.

Model Number	NPT Inlet ¹	Dimensions			
		A Inches	B Inches	A mm	B mm
EAC-100B	1"	6	2 ¹ / ₄	152	57
EAC-150B	1 ¹ / ₂ "	7	3	178	76
EAC-200B	2"	8	4 ¹ / ₄	203	108
EAC-300B	3"	9	5	229	127

1. To specify British Standard Pipe Threads, add suffix **-BSP** to Catalog Number.

Water Effect: Creates an ellipsoidal sphere of water droplets.

Performance Characteristics: The Chandelier™ is a water level dependent effect that requires a constant water level for proper operation. This nozzle is subject to wind. Allow extra area to capture splash or use a wind control device (see pg. 87).



- **Water Level Dependent** - Yes
- **Wind Resistance** - Poor
- **Sound Level** - Moderate
- **Clogging Potential** - Low
- **Splash Radius** - 2.0

Material: Machined cast bronze and brass

Finish: Natural bronze and brass

Model Number	Feet Meters	Spray Height							
		2	3	4	5	6	7	8	
NC-200	GPM	65	75	90	100	110	115	125	
	Head Ft.	3	4	6	7	8	9	11	
	Spread - Ft.	4	6	8	9	10	11	12	
	LPM	246	284	341	379	417	436	473	
	Bar	.090	.120	.179	.209	.239	.269	.329	
	Spread - m	1.22	1.83	2.44	2.74	3.05	3.35	3.66	

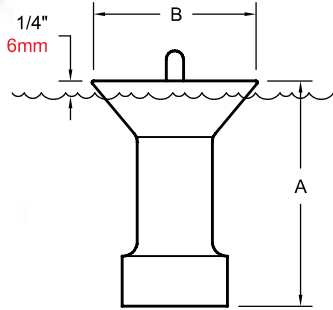
Highlighted values denote optimum performance.

Model Number	NPT Inlet ¹	Dimensions			
		A Inches	B Inches	A mm	B mm
NC-200	2"	7	2 ³ / ₈	178	60

1. To specify British Standard Pipe Threads, add suffix **-BSP** to Catalog Number

Water Effect: Creates a hemisphere of water droplets.

Performance Characteristics: The Snowball™ is a water level independent effect that is subject to wind. A wind control device is recommended (see pg. 87).



- **Water Level Dependent** - No
- **Wind Resistance** - Fair-Good
- **Sound Level** - High
- **Clogging Potential** - Low
- **Splash Radius** - 2.0

Material: Machined cast bronze and brass

Finish: Natural bronze and brass

Model Number	Feet Meters	Spray Height							
		2	3	4	5	6	7	8	
NS-150	GPM	73	80	100	115	120			
	Head Ft.	4	6	9	11	13			
	Spread - Ft.	4	6	8	10	12			
	LPM	277	303	379	436	455			
	Bar	.120	.179	.269	.329	.389			
	Spread - m	1.22	1.83	2.44	3.05	3.66			
NS-200	GPM		105	115	125	140	150	160	
	Head Ft.		9	11	13	15	17	19	
	Spread - Ft.		7	9	11	14	15	16	
	LPM		398	436	474	530	568	606	
	Bar		.269	.329	.389	.448	.508	.568	
	Spread - m		2.13	2.74	3.35	4.27	4.57	4.88	

Highlighted values denote optimum performance.

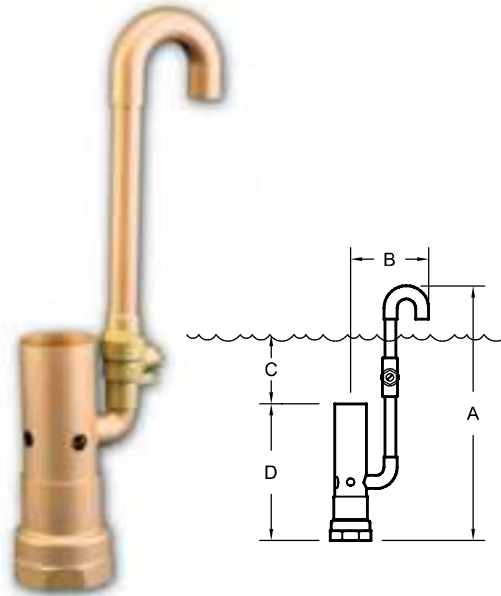
Model Number	NPT Inlet ¹	Dimensions			
		A Inches	B Inches	A mm	B mm
NS-150	1½"	4½"	3¾"	114	86
NS-200	2"	6"	4⅛"	152	105

1. To specify British Standard Pipe Threads, add suffix **-BSP** to Catalog Number

Bubbler

Water Effect: Creates a highly aerated mound of water.

Performance Characteristics: The Bubbler is a water level dependent effect that is subject to creating wave action in a pool. When used in smaller or symmetrical pools, a wave baffle is recommended (see pg. 82).



- **Water Level Dependent** - Yes
- **Wind Resistance** - Very Good
- **Sound Level** - Moderate
- **Clogging Potential** - Low
- **Splash Radius** - 1.5

Material: Copper and bronze

Finish: Natural copper and bronze

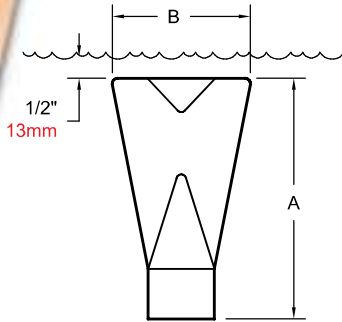
Model Number	Feet Meters	Spray Height							
		.5 .15	1 .30	1.5 .46	2 .61	2.5 .76	3 .91	3.5 1.07	4 1.22
EAB-100A	GPM	11	15	20	23				
	Head Ft.	2	4	6	7				
	Spread - Ft.	.5	.75	1	1.5				
	LPM	42	57	76	87				
	Bar	.060	.120	.179	.209				
	Spread - m	.15	.23	.31	.46				
EAB-150A	GPM		40	49	55	60	65		
	Head Ft.		4	6	7	10	11		
	Spread - Ft.		.83	1	1.5	1.67	2		
	LPM		152	186	209	227	246		
	Bar		.120	.179	.209	.299	.329		
	Spread - m		.25	.31	.46	.51	.61		
EAB-200A	GPM		50	58	65	70	75	80	
	Head Ft.		4	6	7	8	9	11	
	Spread - Ft.		1	1.25	1.5	1.67	2	2.5	
	LPM		190	220	246	265	284	303	
	Bar		.120	.179	.209	.239	.269	.329	
	Spread - m		.31	.38	.46	.51	.61	.76	
EAB-300A	GPM				135	149	162	171	180
	Head Ft.				6	8	9	11	12
	Spread - Ft.				1.67	2.34	3	3.25	3.5
	LPM				511	564	614	648	682
	Bar				.179	.239	.269	.329	.359
	Spread - m				.51	.71	.91	.99	1.07

Highlighted values denote optimum performance.

Model Number	NPT	Dimensions							
		A Inches	B Inches	C Inches	D Inches	A mm	B mm	C mm	D mm
EAB-100A	1"	10	3 ³ / ₄	3	4	254	83	76	102
EAB-150A	1 ¹ / ₂ "	12	4	4	5	305	102	102	127
EAB-200A	2"	14	4 ³ / ₄	5	6	356	108	127	152
EAB-300A	3"	16	4 ³ / ₄	6	7	406	121	152	178

Water Effect: Creates a unique fan shaped water effect which is similar in shape to a peacock's tail.

Performance Characteristics: The Peacock™ is a water level dependent effect that requires a constant water level for proper operation. A wind control device may be required (see pg. 87).



- **Water Level Dependent** - Yes
- **Wind Resistance** - Fair-Good
- **Sound Level** - High
- **Clogging Potential** - Low
- **Splash Radius** - 2.0

Material: Machined cast bronze

Finish: Natural bronze



Model Number	Feet Meters	Spray Height						
		3	4	5	6	8	10	12
NP-100	GPM	42	52	56	62	76		
	Head Ft.	4	5	7	9	13		
	Spread - Ft.	3	4	5	7	10		
	Thickness - Ft.	1	1.2	1.4	1.5	2		
	LPM	159	197	212	235	288		
	Bar	.120	.150	.209	.269	.389		
	Spread - m	.91	1.22	1.52	2.13	3.05		
Thickness - m	.30	.37	.43	.46	.61			
NP-125	GPM		80	95	100	115	130	140
	Head Ft.		5	7	8	12	14	19
	Spread - Ft.		4	5	6	10	12	18
	Thickness - Ft.		1.5	1.7	2	2.5	3	3.5
	LPM		303	360	379	436	493	530
	Bar		.150	.209	.239	.359	.419	.568
	Spread - m		1.22	1.52	1.83	3.05	3.66	5.49
Thickness - m		.46	.52	.61	.76	.91	1.07	
NP-200	GPM				155	175	195	220
	Head Ft.				8	12	14	18
	Spread - Ft.				12	16	20	22
	Thickness - Ft.				2.5	3	3.5	4
	LPM				587	663	739	833
	Bar				.239	.359	.419	.538
	Spread - m				3.66	4.88	6.10	6.71
Thickness - m				.76	.91	1.07	1.22	

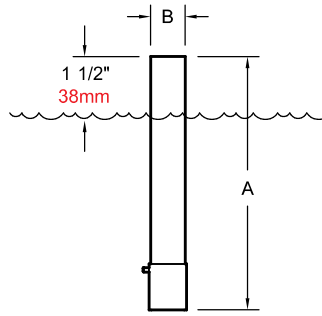
Highlighted values denote optimum performance.

Model Number	NPT ¹	Dimensions			
		A Inches	B Inches	A mm	B mm
NP-100	1"	6	3¼	152	83
NP-125	1¼"	7	4¼	178	108
NP-200	2"	9¾	5¾	238	146

1. To specify British Standard Pipe Threads, add suffix **-BSP** to Catalog Number

Water Effect: Creates a unique surging splash effect.

Performance Characteristics: The Erupter™ has a horizontal splash component caused by its surge action. Allow sufficient area to capture splash. An optional swivel is recommended to ensure proper alignment (see pg. 35).



- **Water Level Dependent** - No
- **Wind Resistance** - Fair-Good
- **Sound Level** - Moderate
- **Clogging Potential** - Low
- **Splash Radius** - 2.0

Material: Machined brass

Finish: Natural brass

Model Number	Feet Meters	Spray Height								
		2	3	4	5	6	8	10	15	
EAE-075	GPM	4.5	5.5	6.5	7.5	8.5	9.5			
	Head Ft.	1	2	3.5	4.5	6	8			
	LPM	18	21	25	29	33	36			
	Bar	.030	.060	.105	.135	.179	.239			
EAE-100	GPM				11	13	15	17	21	
	Head Ft.				4.5	6	8	10.5	14	
	LPM				42	50	57	65	80	
	Bar				.135	.179	.239	.314	.419	

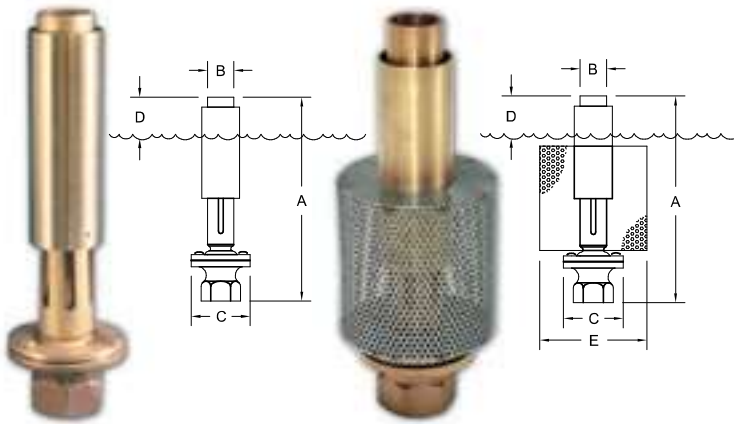
Highlighted values denote optimum performance.

Model Number	NPT ¹	Dimensions			
		A Inches	B Inches	A mm	B mm
EAE-075	3/4"	8	1	203	25
EAE-100	1"	11	1 1/2	279	38

1. To specify British Standard Pipe Threads, add suffix **-BSP** to Catalog Number

Water Effect: The traditional Aerator creates a frothy stream of water.

Performance Characteristics: The Aerator is a water level dependent effect that requires a constant water level for proper operation. A trash screen may be appropriate to prevent debris from clogging the nozzle. To add a stainless steel trash screen to nozzle, delete suffix **-L** from catalog number (not available for N-147L).



- **Water Level Dependent** - Yes
- **Wind Resistance** - Good
- **Sound Level** - Moderate
- **Clogging Potential** - Low
- **Splash Radius** - 1.0

Material: Machined brass and cast bronze

Finish: Natural brass and bronze

Model Number	Feet Meters	Spray Height																
		2	3	4	5	6	8	10	12	15	20	25	30	35	40	45	50	
N-140L	GPM	2.5	3	3.5	4	4.5												
	Head Ft.	21	23	28	35	42												
	LPM	10	12	14	16	18												
	Bar	.628	.688	.837	1.05	1.26												
N-141L	GPM	4.5	5	6	7	7.5	8											
	Head Ft.	13	16	24	27	36	43											
	LPM	18	19	23	27	29	31											
	Bar	.389	.478	.717	.807	1.08	1.29											
N-142L	GPM		8	9	11	12	13											
	Head Ft.		10	22	26	30	35											
	LPM		31	35	42	46	50											
	Bar		.299	.658	.777	.897	1.05											
N-143L	GPM			13	14	16	18	19	20									
	Head Ft.			16	20	26	30	37	45									
	LPM			50	53	61	69	72	76									
	Bar			.478	.598	.777	.897	1.11	1.35									
N-144L	GPM			28	30	34	37	40	43	48								
	Head Ft.			25	28	33	38	44	53	75								
	LPM			106	114	129	141	152	163	182								
	Bar			.747	.837	.986	1.14	1.32	1.58	2.24								
N-145L	GPM			40	42	46	50	54	59	68	73	78						
	Head Ft.			25	27	31	35	40	47	58	68	82						
	LPM			152	159	175	190	205	224	258	277	296						
	Bar			.747	.807	.927	1.05	1.20	1.41	1.73	2.03	2.45						
N-146L	GPM			75	81	88	104	112	123	136	148	157	165	173				
	Head Ft.			22	24	27	30	33	37	45	53	62	70	80				
	LPM			284	307	334	394	424	466	515	561	595	625	655				
	Bar			.658	.717	.807	.897	.986	1.11	1.35	1.58	1.85	2.09	2.39				
N-147L	GPM			165	172	186	200	228	270	295	330	355	380	400	430	450		
	Head Ft.			13	16	21	25	29	35	45	55	65	75	85	95	110		
	LPM			625	652	705	758	864	1,023	1,117	1,250	1,344	1,439	1,515	1,628	1,704		
	Bar			.389	.478	.628	.747	.867	1.05	1.35	1.64	1.94	2.24	2.54	2.84	3.29		

Highlighted values denote optimum performance.

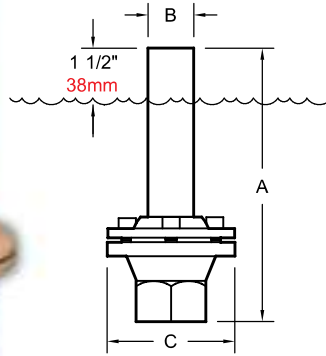
Model Number	NPT ¹	Dimensions									
		A Inches	B Inches	C Inches	D Inches	E Inches	A mm	B mm	C mm	D mm	E mm
N-140L	3/4"	8	5/8	2 5/8	2	3 1/4	203	16	67	51	83
N-141L	3/4"	8	3/4	2 5/8	2	3 1/4	203	19	67	51	83
N-142L	1"	9 1/2	1	2 3/4	2 1/2	4 1/2	241	25	70	64	114
N-143L	1 1/4"	11 1/4	1 1/4	3 3/4	2 1/2	4 1/2	286	32	83	64	114
N-144L	1 1/2"	13 1/4	1 3/8	3 3/8	3	5 7/8	337	41	92	76	149
N-145L	2"	15 1/2	2	4 1/2	3	8	394	51	114	76	203
N-146L	3"	20 3/4	2 3/4	6 1/8	4	9	527	70	156	102	229
N-147L	4"	25 3/4	4	7 1/4	4	n.a.	654	102	184	102	n.a.

1. To specify British Standard Pipe Threads, add suffix **-BSP** to Catalog Number

Hollow-Bore

Water Effect: The Hollow-Bore Aerator creates a frothy aerated stream of water.

Performance Characteristics: The Hollow-Bore Aerator is a water level independent effect. To avoid clogging of the nozzle orifices an in-line Y-strainer with a #20 mesh is recommended. (Add suffix **-L** to catalog number for unit less swivel.)



- **Water Level Dependent** - No
- **Wind Resistance** - Good
- **Sound Level** - Moderate
- **Clogging Potential** - Moderate
- **Splash Radius** - 1.0

Material: Machined brass and cast bronze

Finish: Natural brass and bronze

Model Number	Feet Meters	Spray Height								
		4	6	8	10	12	15	20	30	50
EAA-100AX	GPM	9	11	13						
	Head Ft.	10	15	20						
	LPM	35	42	50						
	Bar	.299	.448	.598						
EAA-150AX	GPM	18	22	25	30	39				
	Head Ft.	9	13	17	23	28				
	LPM	69	84	95	114	148				
	Bar	.269	.389	.508	.688	.837				
EAA-200AX	GPM	30	36	42	47	54	61	69		
	Head Ft.	5	9	12	16	20	24	34		
	LPM	114	137	159	178	205	231	262		
	Bar	.150	.269	.359	.478	.598	.717	1.02		
EAA-300AX	GPM		81	94	105	116	126	149	182	240
	Head Ft.		9	11	14	17	21	28	43	82
	LPM		307	356	398	440	477	565	689	909
	Bar		.269	.329	.419	.508	.628	.837	1.29	2.45

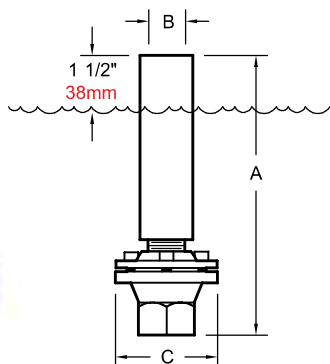
Highlighted values denote optimum performance.

Model Number	NPT ¹	Dimensions					
		A Inches	B Inches	C Inches	A mm	B mm	C mm
EAA-100AX	1"	7 ¹ / ₂	1	2 ³ / ₄	191	25	70
EAA-150AX	1 ¹ / ₂ "	9	1 ¹ / ₂	3 ⁵ / ₈	229	38	92
EAA-200AX	2"	10	2	4 ¹ / ₂	254	51	114
EAA-300AX	3"	12 ¹ / ₂	3	6 ¹ / ₈	318	76	156

1. To specify British Standard Pipe Threads, add suffix **-BSP** to Catalog Number

Water Effect: The Foam Jet creates a foamy stream of water.

Performance Characteristics: The Foam Jet is a water level independent effect. To minimize clogging potential, an in-line Y-strainer with a #20 mesh is recommended.



- **Water Level Dependent** - No
- **Wind Resistance** - Good
- **Sound Level** - Moderate
- **Clogging Potential** - Moderate
- **Splash Radius** - 1.0

Material: Machined brass and cast bronze

Finish: Natural brass and bronze



Model Number	Feet Meters	Spray Height								
		1	2	3	4	5	6	8	10	12
EAF-100X	GPM	7	9	11	12					
	Head Ft.	3	5	7	10					
	LPM	27	35	42	46					
	Bar	.090	.150	.209	.299					
EAF-150X	GPM	13	20	26	29	31	36			
	Head Ft.	3	6	10	13	15	19			
	LPM	50	76	99	110	118	137			
	Bar	.090	.179	.299	.389	.448	.568			
EAF-200X	GPM	21	31	36	44	50	53	56		
	Head Ft.	3	6	9	12	14	18	21		
	LPM	80	118	137	167	190	201	212		
	Bar	.090	.179	.269	.359	.419	.538	.628		
EAF-300X	GPM	39	59	66	77	88	96	112	127	138
	Head Ft.	3	6	8	11	13	16	20	27	33
	LPM	148	224	250	292	334	364	424	481	523
	Bar	.090	.179	.239	.329	.389	.478	.598	.807	.986

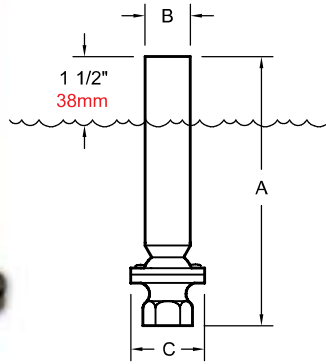
Highlighted values denote optimum performance.

Model Number	NPT ¹	Dimensions					
		A Inches	B Inches	C Inches	A mm	B mm	C mm
EAF-100X	1/2"	8	1	2 3/4	203	25	70
EAF-150X	3/4"	10	1 3/4	3 1/2	254	44	89
EAF-200X	1"	10 1/4	2 1/4	4 1/2	260	57	114
EAF-300X	1 1/2"	13 1/4	3 1/4	6 1/4	337	83	159

1. To specify British Standard Pipe Threads, add suffix **-BSP** to Catalog Number

Water Effect: The unique Dominator™ nozzle creates an aerated stream of water.

Performance Characteristics: The Dominator™ is a water level independent effect.



- **Water Level Dependent** - No
- **Wind Resistance** - Good
- **Sound Level** - Moderate
- **Clogging Potential** - Low
- **Splash Radius** - 1.0

Material: Machined brass and cast bronze

Finish: Natural brass and bronze

Model Number	Feet Meters	Spray Height								
		3	4	5	6	8	10	15	20	25
EAD-075	GPM	7	8	9	10	12	15			
	Head Ft.	4.5	7	8	10.5	14	17.5			
	LPM	27	31	35	38	46	57			
	Bar	.135	.209	.239	.314	.419	.523			
EAD-100	GPM	11	14	17	20	25	30	38	46	
	Head Ft.	4.5	6	8	10.5	14	18.5	30	41.5	
	LPM	42	53	65	76	95	114	144	175	
	Bar	.135	.179	.239	.314	.419	.553	.897	1.24	
EAD-150	GPM		40	45	50	58	67	80	95	106
	Head Ft.		6	8	9	11.5	16	24.5	32	44
	LPM		152	171	190	220	254	303	360	402
	Bar		.179	.239	.269	.344	.478	.732	.957	1.32

Highlighted values denote optimum performance.

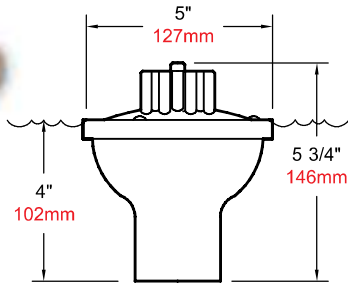
Model Number	NPT ¹	Dimensions					
		A Inches	B Inches	C Inches	A mm	B mm	C mm
EAD-075	3/4"	9	7/8	2 3/4	229	22	70
EAD-100	1"	10 1/2	1 1/4	2 3/4	267	32	70
EAD-150	1 1/2"	14 3/4	1 5/8	3 5/8	375	41	92

1. To specify British Standard Pipe Threads, add suffix **-BSP** to Catalog Number

Jet Cluster

Water Effect: Creates a medium column of water.

Performance Characteristics: The Jet Cluster uses multiple solid stream nozzles grouped to create a fuller effect.



- **Water Level Dependent** - No
- **Wind Resistance** - Good
- **Sound Level** - Moderate
- **Clogging Potential** - Moderate
- **Splash Radius** - 1.0

Material: Machined cast bronze and brass

Finish: Natural bronze and brass



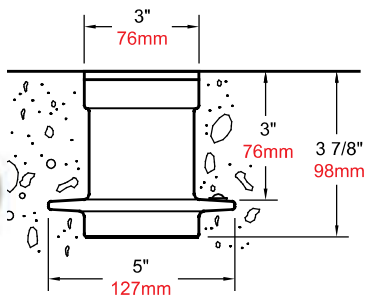
Model Number	NPT ¹	Feet Meters	Spray Height				
			2	4	6	8	10
N-81	1 1/2"	GPM	25	35	40	45	49
		Head Ft.	3	5	8	12	14
		LPM	95	133	152	171	186
		Bar	.090	.150	.239	.359	.419

Highlighted values denote optimum performance.

1. To specify British Standard Pipe Threads, add suffix **-BSP** to Catalog Number

Water Effect: Creates a medium column of water from a flush mounted configuration.

Performance Characteristics: The Flush Jet Cluster uses multiple solid stream nozzles grouped to create a fuller effect.



- **Water Level Dependent** - No
- **Wind Resistance** - Good
- **Sound Level** - Moderate
- **Clogging Potential** - Moderate
- **Splash Radius** - 1.0

Material: Cast bronze and brass

Finish: Natural bronze and brass



Model Number	NPT ¹	Feet Meters	Spray Height				
			2	4	6	8	10
EPF-200	2"	GPM	21	29	35	41	46
		Head Ft.	3	4.5	6	9	12
		LPM	80	110	133	156	175
		Bar	.090	.135	.179	.269	.359

Highlighted values denote optimum performance.

1. To specify British Standard Pipe Threads, add suffix **-BSP** to Catalog Number

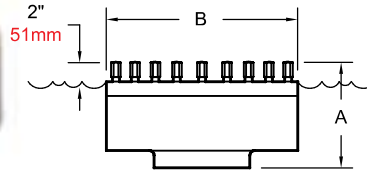
Precision Pod

Water Effect: Creates a full column geyser of water.

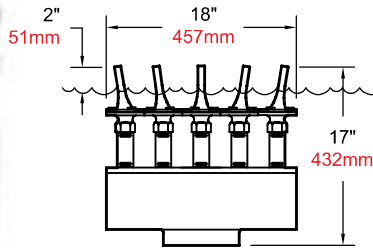
Performance Characteristics: The Precision Pod uses multiple solid steam nozzles grouped to create a more massive effect. Outer nozzles on N-370 may be adjusted to create a large "fleur-de-lis" effect.



N-350



N-370



- **Water Level Dependent** - No
- **Wind Resistance** - Very Good
- **Sound Level** - High
- **Clogging Potential** - Low-Moderate
- **Splash Radius** - 1.0 - 2.0

Material: Machined brass and cast bronze

Finish: Natural brass and bronze

Model Number	Feet Meters	Spray Height					
		10	20	30	40	50	60
N-350	GPM	250	375	510			
	Head Ft.	14	29	53			
	Spread - Ft.	6	8	9			
	LPM	947	1,420	1,931			
	Bar	.419	.867	1.58			
	Spread - m	1.83	2.44	2.74			
N-370	GPM	300	540	716	842	980	1180
	Head Ft.	14	28	40	53	67	80
	Spread - Ft.	5	14	20	27	30	37
	LPM	1,136	2,045	2,711	3,188	3,710	4,467
	Bar	.419	.837	1.20	1.58	2.00	2.39
	Spread - m	1.52	4.27	6.10	8.23	9.14	11.3

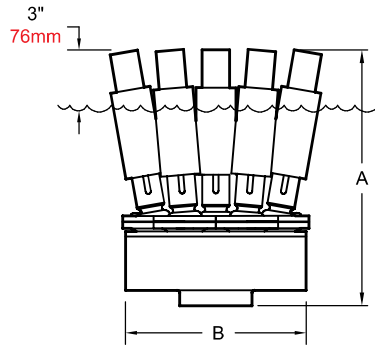
Highlighted values denote optimum performance.

Model Number	NPT ¹	Qty. Nozzles	Dimensions			
			A Inches	B Inches	A mm	B mm
N-350	4"	57	5½	10	140	254
N-370	6"	13	17	18	432	457

1. To specify British Standard Pipe Threads, add suffix **-BSP** to Catalog Number

Water Effect: Creates a highly aerated geyser of water.

Performance Characteristics: The Aerated Pod is a water level dependent effect that is subject to creating wave action in a pool. When used in smaller and symmetrical areas, a wave baffle is recommended (see pg. 82). Outer nozzles may be adjusted to create a large "fleur-de-lis" effect.



- **Water Level Dependent** - Yes
- **Wind Resistance** - Good
- **Sound Level** - High
- **Clogging Potential** - Low
- **Splash Radius** - 1.5 - 2.0

Material: Machined brass
and cast bronze

Finish: Natural brass and bronze



Model Number	Feet Meters	Spray Height					
		10	20	30	40	50	60
N-355	GPM	164	215	260	285	315	
	Head Ft.	35	56	82	120	140	
	Spread - Ft.	20	28	35	40	44	
	LPM	621	814	985	1,079	1,193	
	Bar	1.05	1.67	2.45	3.59	4.19	
	Spread - m	6.10	8.53	10.7	12.2	13.4	
N-360	GPM	728	952	1099	1155	1211	1302
	Head Ft.	30	45	62	70	80	105
	Spread - Ft.	10	20	30	33	35	40
	LPM	2,756	3,604	4,161	4,373	4,585	4,929
	Bar	.897	1.35	1.85	2.09	2.39	3.14
	Spread - m	3.05	6.10	9.14	10.1	10.7	12.2
N-365	GPM	485	650	740	840	945	1095
	Head Ft.	30	45	62	80	105	135
	Spread - Ft.	10	20	30	35	40	45
	LPM	1,836	2,461	2,802	3,180	3,578	4,146
	Bar	.897	1.35	1.85	2.39	3.14	4.04
	Spread - m	3.05	6.10	9.14	10.7	12.2	13.7

Highlighted values denote optimum performance.

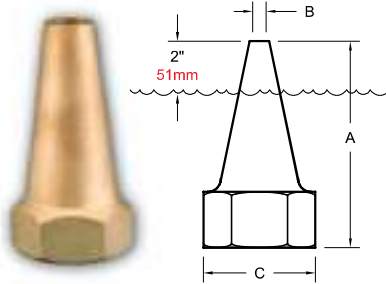
Model Number	NPT ¹	Qty. Nozzles	Dimensions			
			A Inches	B Inches	A mm	B mm
N-355	4"	7	20½	10	521	254
N-360	6"	7	25½	18	648	457
N-365	6"	17	25½	18	648	457

1. To specify British Standard Pipe Threads, add suffix **-BSP** to Catalog Number

Smooth Bore

Water Effect: Creates a solid stream water effect.

Performance Characteristics: The Smooth Bore effect is a clear stream of water at lower pressures and heights and becomes more striated as pressure and height increase.



- **Water Level Dependent** - No
- **Wind Resistance** - Very Good
- **Sound Level** - Moderate
- **Clogging Potential** - Low
- **Splash Radius** - 1.0

Material: Machined cast bronze

Finish: Natural bronze

Model Number	Feet Meters	Spray Height									
		5	10	15	20	30	40	60	80	90	
N-110	GPM	7	12	15	19						
	Head Ft.	8	14	20	27						
	LPM	27	46	57	72						
	Bar	.239	.419	.598	.807						
N-111	GPM	20	28	38	44	58					
	Head Ft.	8	14	20	27	42					
	LPM	76	106	144	167	220					
	Bar	.239	.419	.598	.807	1.26					
N-112	GPM	38	52	68	80	102	120				
	Head Ft.	8	14	20	27	42	55				
	LPM	144	197	258	303	387	455				
	Bar	.239	.419	.598	.807	1.26	1.64				
N-113	GPM	63	92	115	130	160	188	235			
	Head Ft.	8	14	20	27	42	55	82			
	LPM	239	349	436	493	606	712	890			
	Bar	.239	.419	.598	.807	1.26	1.64	2.45			
N-114	GPM	112	163	195	225	265	300	380	430		
	Head Ft.	8	14	20	27	42	55	82	110		
	LPM	424	618	739	852	1,004	1,136	1,439	1,628		
	Bar	.239	.419	.598	.807	1.26	1.64	2.45	3.29		
N-115	GPM	198	292	350	410	480	600	730	830	880	
	Head Ft.	8	14	20	27	42	55	82	110	130	
	LPM	750	1,106	1,325	1,553	1,817	2,272	2,764	3,142	3,332	
	Bar	.239	.419	.598	.807	1.26	1.64	2.45	3.29	3.89	

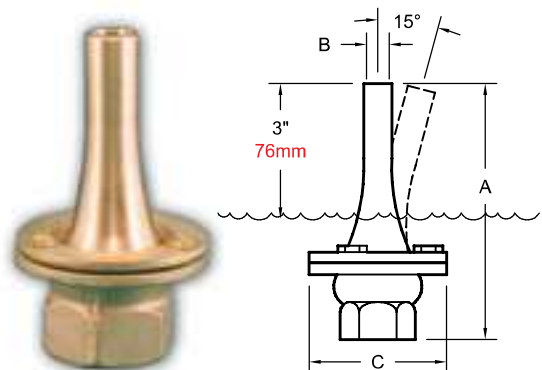
Highlighted values denote optimum performance.

Model Number	NPT ¹	Dimensions					
		A Inches	B Inches	C Inches	A mm	B mm	C mm
N-110	1"	4	³ / ₈	2	102	10	51
N-111	1½"	5	⁵ / ₈	2½	127	16	64
N-112	2"	6	⁷ / ₈	3 ³ / ₁₆	152	22	81
N-113	3"	9 ⁵ / ₈	1½	4 ⁵ / ₈	245	29	118
N-114	4"	11 ³ / ₈	1½	5 ¹⁵ / ₁₆	289	38	151
N-115	5"	13¼	2	7 ⁵ / ₁₆	337	51	186

1. To specify British Standard Pipe Threads, add suffix **-BSP** to Catalog Number

Water Effect: Creates a solid stream water effect with integral angular adjustability.

Performance Characteristics: The Adjustable Smooth Bore effect is a clear stream of water at lower pressures and heights and becomes more striated as pressure and height increase.



- **Water Level Dependent** - No
- **Wind Resistance** - Very Good
- **Sound Level** - Moderate
- **Clogging Potential** - Low
- **Splash Radius** - 1.0

Material: Machined cast bronze

Finish: Natural bronze



Model Number	Feet Meters	Spray Height							
		5	10	15	20	25	30	40	60
N-120	GPM	7	12	15	19				
	Head	8	14	20	27				
	LPM	27	46	57	72				
	Bar	.239	.419	.598	.807				
N-121	GPM	20	28	38	44	50	58		
	Head	8	14	20	27	35	42		
	LPM	76	106	144	167	190	220		
	Bar	.239	.419	.598	.807	1.05	1.26		
N-122	GPM	38	52	68	80	92	102	120	
	Head	8	14	20	27	35	42	55	
	LPM	144	197	258	303	349	387	455	
	Bar	.239	.419	.598	.807	1.05	1.26	1.64	
N-123	GPM	63	92	115	130	145	160	188	235
	Head	8	14	20	27	35	42	55	82
	LPM	239	349	436	493	549	606	712	890
	Bar	.239	.419	.598	.807	1.05	1.26	1.64	2.45

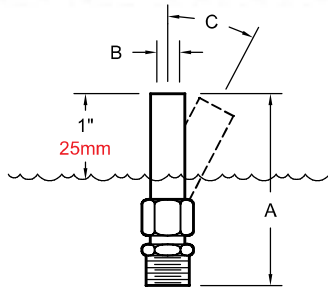
Highlighted values denote optimum performance.

Model Number	NPT ¹	Dimensions					
		A Inches	B Inches	C Inches	A mm	B mm	C mm
N-120	1"	5 1/8	3/8	2 3/4	130	10	70
N-121	1 1/2"	6 1/4	5/8	3 5/8	159	16	92
N-122	2"	7 1/2	7/8	4 1/2	191	22	114
N-123	3"	12 1/2	1 1/8	6 1/8	318	29	156

1. To specify British Standard Pipe Threads, add suffix **-BSP** to Catalog Number

Water Effect: Creates a fine solid stream water effect with angular adjustability.

Performance Characteristics: Smaller orifice nozzles are more subject to wind and clogging.



- **Water Level Dependent** - No
- **Wind Resistance** - Fair-Good
- **Sound Level** - Low
- **Clogging Potential** - Moderate
- **Splash Radius** - 1.0

Material: Machined brass

Finish: Natural brass

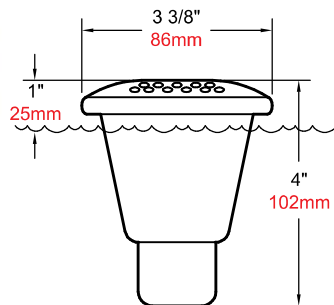
Model Number	Feet Meters	Spray Height								
		1	2	3	4	6	8	10	15	20
EPX-125	GPM	0.3	0.4	0.5	0.6	0.7				
	Head Ft.	2	3	4.5	6	9				
	LPM	1.2	1.5	1.9	2.3	2.7				
	Bar	.060	.090	.135	.179	.269				
EPX-187	GPM		1	1.5	2	2.5	3			
	Head Ft.		3	4.5	6	9	12			
	LPM		3.8	5.7	7.6	9.5	11.4			
	Bar		.090	.135	.179	.268	.359			
EPX-250	GPM		2	2.5	3	4.5	5	6		
	Head Ft.		3	4.5	6	9	12	14		
	LPM		7.6	9.5	11.4	17.1	19	22.7		
	Bar		.090	.135	.179	.268	.359	.419		
EPX-375	GPM				4	6.5	8.25	10	13	
	Head Ft.				6	9	12	14	20	
	LPM				15.1	24.6	31.2	37.9	49.2	
	Bar				.179	.268	.359	.419	.599	
EPX-500	GPM					16	17	19	22	26
	Head Ft.					9	12	14	20	27
	LPM					60.6	64.4	72	83.3	98.4
	Bar					.268	.359	.419	.599	.807

Highlighted values denote optimum performance.

Model Number	NPT	Dimensions				
		A Inches	B Inches	C Degrees	A mm	B mm
EPX-125	1/4"	1 3/4	.125	10	44	3
EPX-187	1/4"	2 1/2	.187	15	64	5
EPX-250	1/4"	2 1/2	.250	15	64	6
EPX-375	1/2"	3	.375	15	76	10
EPX-500	3/4"	3 5/8	.500	15	92	13

Water Effect: Creates a "fleur-de-lis" type effect.

Performance Characteristics: The Water Castle uses multiple solid stream nozzles aligned to create the effect. Use of an in-line Y-strainer is recommended to reduce maintenance.



- **Water Level Dependent** - No
- **Wind Resistance** - Fair
- **Sound Level** - Moderate
- **Clogging Potential** - Moderate
- **Splash Radius** - 1.5

Material: Machined cast bronze

Finish: Natural bronze

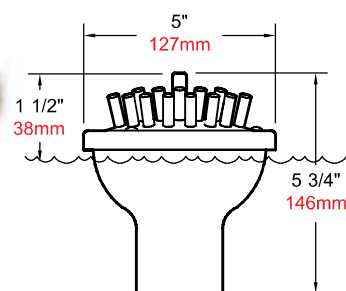
Nozzles: One .141" and thirty .109" orifices.



Model Number	NPT ¹	Feet Meters	Spray Height				
			3	4	5	6	8
N-20	3/4"	GPM	11	12	13	14	17
		Head Ft.	6	6.5	7	8	10
		Spread - Ft.	2	2.5	3	4	5
		LPM	42	46	50	53	65
		Bar	.179	.194	.209	.239	.299
		Spread - m	.61	.76	.91	1.22	1.52

Highlighted values denote optimum performance.

1. To specify British Standard Pipe Threads, add suffix **-BSP** to Catalog Number



- **Water Level Dependent** - No
- **Wind Resistance** - Fair
- **Sound Level** - Moderate
- **Clogging Potential** - Moderate
- **Splash Radius** - 1.5

Material: Machined cast bronze and brass

Finish: Natural bronze and brass

Nozzles: One .269" and twenty-seven .214" orifices.



Model Number	NPT ¹	Feet Meters	Spray Height						
			4	5	6	8	10	12	14
N-25	1 1/2"	GPM	30	35	40	51	57	66	70
		Head Ft.	5	6	7	10	13	17	20
		Spread - Ft.	2	3	4	5	6	7	8
		LPM	114	133	152	194	216	250	265
		Bar	.150	.179	.209	.299	.389	.508	.598
		Spread - m	.61	.91	1.22	1.52	1.83	2.13	2.44

Highlighted values denote optimum performance.

1. To specify British Standard Pipe Threads, add suffix **-BSP** to Catalog Number

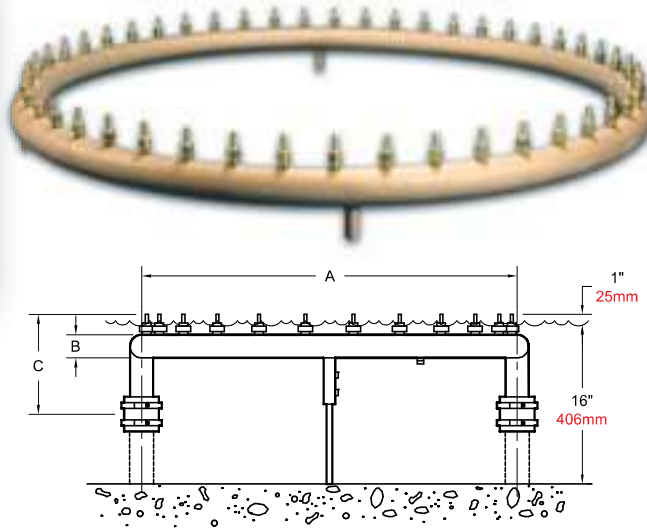
Spray Ring

Water Effect: Creates a variety of patterns using adjustable nozzles.

Performance Characteristics: Since the Spray Ring utilizes adjustable .187" orifice precision jets to create effects, an in-line Y-strainer is recommended to reduce maintenance.



Dome



- **Water Level Dependent** - No
- **Wind Resistance** - Fair
- **Sound Level** - Moderate
- **Clogging Potential** - Moderate
- **Splash Radius** - 1.0 - 2.0

Material: Machined brass

Finish: Natural brass

NOTE: Spray Rings supplied with connecting hose and stainless steel hose clamps.



Inside Fall



Vertical



Basket Weave



Outside Fall

Model Number	Feet Meters	Spray Height									
		2 .61	3 .91	4 1.22	5 1.52	6 1.83	8 2.44	10 3.05	12 3.66	14 4.27	16 4.88
EPR-18	GPM	18	25	32	34	35					
	Head Ft.	3	4.5	6	7.5	9					
	LPM	69	95	122	129	133					
	Bar	.090	.135	.179	.224	.269					
EPR-24	GPM	24	34	43	45	47	55				
	Head Ft.	3	4.5	6	7.5	9	12				
	LPM	91	129	163	171	178	209				
	Bar	.090	.135	.179	.224	.269	.359				
EPR-30	GPM	30	42	53	56	59	69				
	Head Ft.	3	4.5	6	7.5	9	12				
	LPM	114	159	201	212	224	262				
	Bar	.090	.135	.179	.224	.269	.359				
EPR-36	GPM	36	50	64	68	71	83	95			
	Head Ft.	3	4.5	6	7.5	9	12	15			
	LPM	137	190	243	258	269	315	360			
	Bar	.090	.135	.179	.224	.269	.359	.448			
EPR-48	GPM	48	67	85	90	94	110	127	148		
	Head Ft.	3	4.5	6	7.5	9	12	15	18		
	LPM	182	254	322	341	356	417	481	561		
	Bar	.090	.135	.179	.224	.269	.359	.448	.538		
EPR-60	GPM	60	83	106	112	118	139	159	185		
	Head Ft.	3	4.5	6	7.5	9	12	15	18		
	LPM	228	315	402	424	447	527	602	701		
	Bar	.090	.135	.179	.224	.269	.359	.448	.538		
EPR-72	GPM	72	100	127	134	141	166	191	222	246	
	Head Ft.	3	4.5	6	7.5	9	12	15	18	21	
	LPM	273	379	481	508	534	629	724	841	932	
	Bar	.090	.135	.179	.224	.269	.359	.448	.538	.628	
EPR-96	GPM	96	133	170	179	188	222	254	295	327	
	Head Ft.	3	4.5	6	7.5	9	12	15	18	21	
	LPM	364	504	644	678	712	841	962	1,117	1,238	
	Bar	.090	.135	.179	.224	.269	.359	.448	.538	.628	
EPR-120	GPM	120	166	212	224	235	277	318	369	409	435
	Head Ft.	3	4.5	6	7.5	9	12	15	18	21	25
	LPM	455	629	803	848	890	1,049	1,204	1,397	1,549	1,647
	Bar	.090	.135	.179	.224	.269	.359	.448	.538	.628	.747
EPR-180	GPM	180	249	318	336	353	415	477	554	614	652
	Head Ft.	3	4.5	6	7.5	9	12	15	18	21	25
	LPM	682	943	1,204	1,272	1,337	1,571	1,806	2,098	2,325	2,469
	Bar	.090	.135	.179	.224	.269	.359	.448	.538	.628	.747
EPR-240	GPM	240	333	425	448	471	554	636	738	818	869
	Head Ft.	3	4.5	6	7.5	9	12	15	18	21	25
	LPM	909	1,261	1,609	1,696	1,783	2,098	2,408	2,794	3,097	3,290
	Bar	.090	.135	.179	.224	.269	.359	.448	.538	.628	.747

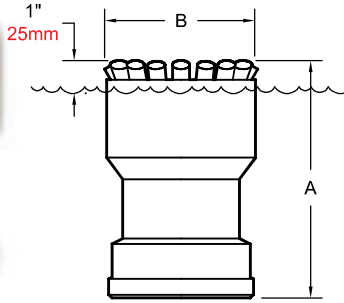
Highlighted values denote optimum performance.

Model Number	Inlet		A Feet	B Inches	C Inches	A m	B mm	C mm	Number of Jets	Flush Plugs		Number of Legs
	Qty	Size								Qty	Size	
EPR-18	1	1½"	1.5	1½	6½	.46	38	165	18	1	½"	2
EPR-24	2	1½"	2	1½	6½	.61	38	165	24	1	½"	2
EPR-30	2	1½"	2.5	1½	6½	.76	38	165	30	1	½"	2
EPR-36	2	1½"	3	1½	6½	.91	38	165	36	1	½"	2
EPR-48	2	2"	4	2	6½	1.22	51	165	48	1	½"	2
EPR-60	2	2"	5	2	7	1.52	51	178	60	1	½"	2
EPR-72	4	2"	6	2	7	1.83	51	178	72	2	½"	4
EPR-96	4	2"	8	2	7	2.44	51	178	96	2	½"	4
EPR-120	4	2"	10	2	7	3.05	51	178	120	2	½"	4
EPR-180	6	2"	15	2	7	4.57	51	178	180	3	½"	6
EPR-240	8	2"	20	2	7	6.10	51	178	240	4	½"	8

Arch Jet

Water Effect: Creates an outward arching circle of solid stream jets.

Performance Characteristics: The Arch Jet uses multiple solid stream nozzles grouped to create its effect. An in-line Y-strainer is recommended to reduce maintenance.



- **Water Level Dependent** - No
- **Wind Resistance** - Fair
- **Sound Level** - Moderate
- **Clogging Potential** - Moderate
- **Splash Radius** - 2.0

Material: Machined cast bronze and brass

Finish: Natural bronze and brass

Model Number	Feet Meters	Spray Height							
		2	4	6	8	10	15	20	25
EPA-100	GPM	8	12	16					
	Head Ft.	3	5	7					
	Spread - Ft.	4	8	12					
	LPM	31	46	61					
	Bar	.090	.150	.209					
	Spread - m	1.22	2.44	3.66					
EPA-150	GPM		18	24	27	32			
	Head Ft.		5	7	10	13			
	Spread - Ft.		8	12	16	20			
	LPM		69	91	103	122			
	Bar		.150	.209	.299	.389			
	Spread - m		2.44	3.66	4.88	6.10			
EPA-200	GPM			31	36	42	56	72	
	Head Ft.			7	10	13	21	30	
	Spread - Ft.			12	16	20	30	40	
	LPM			118	137	159	212	273	
	Bar			.209	.299	.389	.628	.897	
	Spread - m			3.66	4.88	6.10	9.14	12.2	
EPA-300	GPM				99	116	154	198	249
	Head Ft.				10	13	21	30	42
	Spread - Ft.				16	20	30	40	50
	LPM				375	440	583	750	943
	Bar				.299	.389	.628	.897	1.26
	Spread - m				4.88	6.10	9.14	12.2	15.2

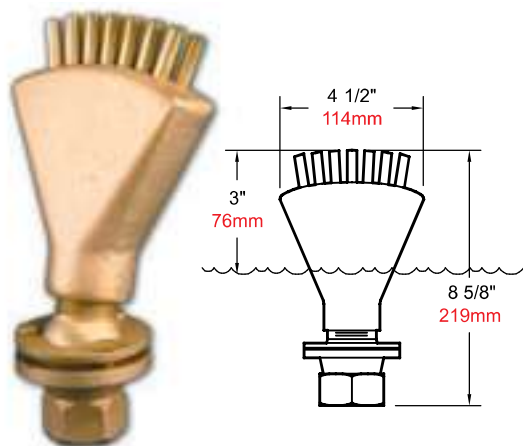
Highlighted values denote optimum performance.

Model Number	NPT	Qty	Orifice		Dimensions			
			Size Inches	Size mm	A Inches	B Inches	A mm	B mm
EPA-100	1"	8	.187	4.8	4	2 ¹ / ₄	102	57
EPA-150	1 ¹ / ₂ "	12	.156	4	6	3	152	76
EPA-200	2"	16	.203	5.8	6 ¹ / ₂	4 ¹ / ₄	165	108
EPA-300	3"	16	.375	9.5	7	4 ¹ / ₄	178	108

Finger Jet

Water Effect: Creates a fan shaped spray of solid streams of water.

Performance Characteristics: The Finger Jet has an integral adjustment swivel and uses multiple precision jets. An in-line Y-strainer is recommended to reduce maintenance.



- **Water Level Dependent** - No
- **Wind Resistance** - Fair
- **Sound Level** - Moderate
- **Clogging Potential** - Moderate
- **Splash Radius** - 1.5

Material: Machined cast bronze and brass

Finish: Natural bronze and brass

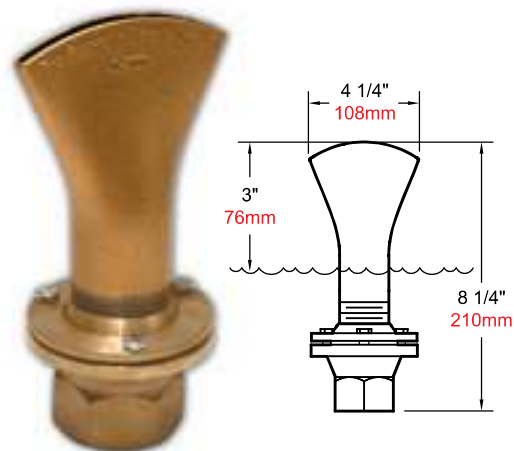


Model Number	NPT ¹	Degrees Above Horizontal	Throw Feet	Rise Feet	Spread Feet	GPM	Head Feet	Throw m	Rise m	Spread m	LPM	Bar
N-77	1 1/4"	45	5	2	4	20	5	1.5	.61	1.22	76	.150
			10	3	7	25	10	3.1	.91	2.1	95	.299
			15	4	10	30	15	4.6	1.22	3.1	114	.449

1. To specify British Standard Pipe Threads, add suffix **-BSP** to Catalog Number

Water Effect: Creates a fan-shaped sheet of water.

Performance Characteristics: The Fan Jet has an integral adjustment swivel that provides adjustability to create different fan shapes.



- **Water Level Dependent** - No
- **Wind Resistance** - Fair
- **Sound Level** - Low
- **Clogging Potential** - Low
- **Splash Radius** - 1.5

Material: Machined cast bronze

Finish: Natural bronze



Model Number	Inlet NPT ¹	Degrees Above Horizontal	Throw Feet	Rise Feet	Spread Feet	GPM	Head Feet	Throw m	Rise m	Spread m	LPM	Bar
EFF-150	1 1/2"	45	7	2	7	44	4	2.13	.61	2.13	167	.120
			11	3	11	55	12	3.35	.91	3.35	209	.359
			14	4	14	63	17	4.27	1.22	4.27	239	.508
			19	5	19	72	24	5.79	1.52	5.79	273	.717

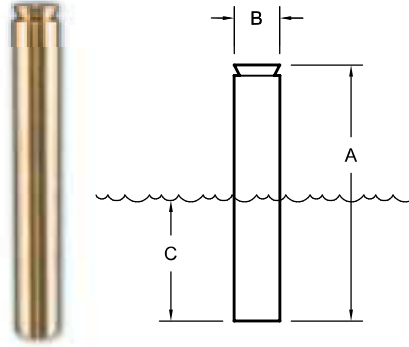
1. To specify British Standard Pipe Threads, add suffix **-BSP** to Catalog Number

Mushroom Jet



Water Effect: The Mushroom Jet creates a clear inverted sheet of water.

Performance Characteristics: The Mushroom Jet is a fine sheet effect that is subject to wind distortion.



- **Water Level Dependent** - No
- **Wind Resistance** - Poor
- **Sound Level** - Low
- **Clogging Potential** - Moderate
- **Splash Radius** - 1.0

Material: Machined brass

Finish: Natural brass

Model Number	Height Inches	Spread Inches	GPM	Head Feet	Height m	Spread m	LPM	Bar
ESM-100A	9	12	4	2	.23	.30	16	.060
ESM-150A	12	15	12	2	.30	.38	46	.060
ESM-200A	15	20	16	3	.38	.51	61	.090
ESM-300A	20	36	28	4	.51	.91	106	.120

Dimensions							
Model Number	NPT ¹	A Inches	B Inches	C Inches	A mm	B mm	C mm
ESM-100A	1/2"	11	1 1/4	4	279	32	102
ESM-150A	3/4"	12	1 5/8	5	305	41	127
ESM-200A	1"	13	2	6	330	51	152
ESM-300A	1 1/2"	14	3	7	356	76	178

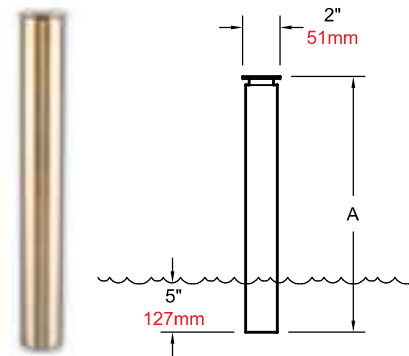
1. To specify British Standard Pipe Threads, add suffix **-BSP** to Catalog Number

Crystal Dome



Water Effect: The Crystal Dome creates a clear sheet of water in the shape of a dome.

Performance Characteristics: The Crystal Dome is a fine sheet effect that is subject to wind distortion.



- **Water Level Dependent** - No
- **Wind Resistance** - Poor
- **Sound Level** - Low
- **Clogging Potential** - Moderate
- **Splash Radius** - 1.5

Material: Machined brass

Finish: Natural brass

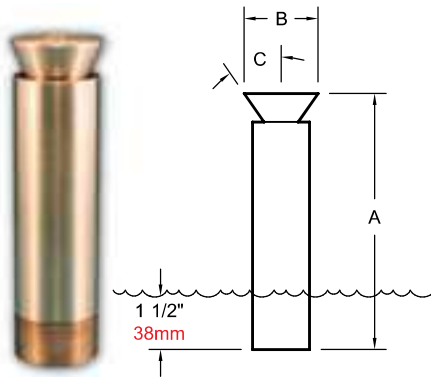
Model Number	Height Inches	Spread Inches	GPM	Head Feet	Height m	Spread m	LPM	Bar
ESD-112A	12	20	7	3	.30	.51	27	.090
ESD-118A	18	28	9	4	.46	.71	35	.120
ESD-124A	24	36	13	5	.61	.91	50	.150

Dimensions			
Model Number	NPT ¹	A Inches	A mm
ESD-112A	1"	17	432
ESD-118A	1"	23	584
ESD-124A	1"	29	737

1. To specify British Standard Pipe Threads, add suffix **-BSP** to Catalog Number

Water Effect: Creates a full-flow clear inverted sheet of water.

Performance Characteristics: The Morning Glory has an integral cone that allows the water effect to be adjusted from a full sheet to a half sheet.



- **Water Level Dependent** - No
- **Wind Resistance** - Fair
- **Sound Level** - Low-Moderate
- **Clogging Potential** - Low
- **Splash Radius** - 1.5

Material: Machined brass and cast bronze

Finish: Natural brass and bronze



Full Sheet

Model Number	Sheet	Height Inches	Spread Feet	GPM	Head Feet	Height		Spread	
						m	m	LPM	Bar
N-210-35	FULL	12	1	5	2	.30	.30	19	.060
	HALF	18	1.5	8	4	.46	.46	31	.120
N-220-35	FULL	12	3	40	2	.30	.08	152	.060
	HALF	18	6	60	4	.46	.15	228	.120
N-220-25	FULL	18	2	35	2	.46	.05	133	.060
	HALF	24	5	45	4	.79	.13	171	.120
N-230-35	FULL	18	6	130	2	.46	.15	493	.060
	HALF	36	12	170	4	.91	.30	644	.120
N-230-25	FULL	24	5	100	3	.79	.13	379	.090
	HALF	42	10	160	5	1.07	.25	606	.150
N-240-35	FULL	30	8	190	3	.76	.20	720	.090
	HALF	42	14	250	5	1.07	.36	947	.150
N-240-25	FULL	30	7	170	3	.76	.18	644	.090
	HALF	48	12	240	5	1.22	.30	909	.150

Model Number	NPT ¹	Dimensions					
		A Inches	B Inches	C Degrees	A mm	B mm	C Degrees
N-210-35	3/4"	4 1/8	1 7/8	35	105	48	35
N-220-35	2"	9	2 3/8	35	229	60	35
N-220-25	2"	9	2 3/8	25	229	60	25
N-230-35	3"	13	3 1/2	35	330	90	35
N-230-25	3"	13	3 1/2	25	330	90	25
N-240-35	4"	16	4 1/2	35	406	114	35
N-240-25	4"	16	4 1/2	25	406	114	25

1. To specify British Standard Pipe Threads, add suffix **-BSP** to Catalog Number

Clear Sheet Bar

Water Effect: Creates a clear "aimable" sheet of water.

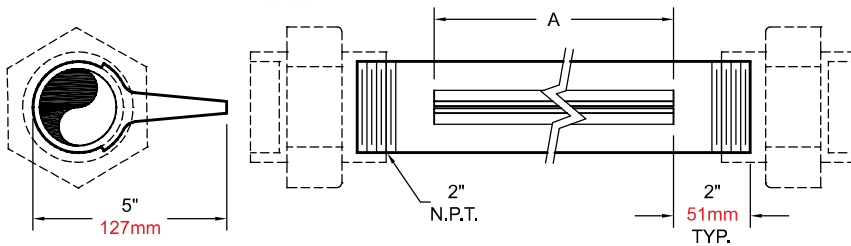
Performance Characteristics: The Clear Sheet Bar is a fine sheet effect and is subject to wind distortion. 100% filtration is recommended to minimize maintenance.



- **Water Level Dependent** - No
- **Wind Resistance** - Poor
- **Sound Level** - Low
- **Clogging Potential** - High
- **Splash Radius** - 1.5 - 2.0

Material: Machined brass

Finish: Natural brass



Arching



Horizontal



Vertical

Vertical Sheet

Model Number	GPM	Head Feet	Sheet Width				LPM	BAR	Sheet Width			
			@1'	@2'	@3'	@4'			@.31 m	@.61 m	@.91 m	@1.22 m
ESS-024	30	5.5	18"	17"	16"	14"	114	.164	.46 m	.43 m	.41 m	.36 m
ESS-036	45	5.5	30"	29"	28"	26"	171	.164	.76 m	.74 m	.71 m	.66 m
ESS-048	60	5.5	42"	41"	40"	38"	228	.164	1.07 m	1.04 m	1.02 m	.97 m

Horizontal Sheet

Model Number	GPM	Head Feet	Throw Inches	Height Inches	Spread Inches	LPM	Bar	Throw m	Height m	Spread m
ESS-024	10	3	12	18	23	38	.090	.30	.46	.58
	20	3	18	18	21	76	.090	.46	.46	.53
	30	3	24	18	19	114	.090	.61	.46	.48
ESS-036	15	3	12	18	35	57	.090	.30	.46	.89
	30	3	18	18	33	114	.090	.46	.46	.84
	45	3	24	18	31	171	.090	.61	.46	.79
ESS-048	20	3	12	18	47	76	.090	.30	.46	1.19
	40	3	18	18	45	152	.090	.46	.46	1.14
	60	3	24	18	43	228	.090	.61	.46	1.09

Arching Sheet

Model Number	Degrees from Horiz.	Arching Clear Sheet									
		GPM	Head Feet	Throw Inches	Height Inches	Spread Inches	LPM	Bar	Throw m	Height m	Spread m
ESS-024	45	35	2	24	4	23	133	.060	.61	.10	.58
		45	2.5	42	7	19	171	.075	1.07	.18	.48
		50	3	54	12	16	190	.090	1.37	.30	.41
	75	40	2	19	12	22	152	.060	.48	.30	.56
		45	2.5	25	18	19	171	.075	.64	.46	.48
		50	3	31	24	16	190	.090	.79	.61	.41
ESS-036	45	48	2	24	4	34	182	.060	.61	.10	.86
		68	2.5	42	7	31	258	.075	1.07	.18	.79
		75	3	54	12	28	284	.090	1.37	.30	.71
	75	60	2	19	12	34	228	.060	.48	.30	.86
		68	2.5	25	18	31	258	.075	.64	.46	.79
		75	3	31	24	28	284	.090	.79	.61	.71
ESS-048	45	70	2	24	4	46	265	.060	.61	.10	1.17
		90	2.5	42	7	43	341	.075	1.07	.18	1.09
		100	3	54	12	40	379	.090	1.37	.30	1.02
	75	80	2	19	12	34	303	.060	.48	.30	.86
		90	2.5	25	18	31	341	.075	.64	.46	.79
		100	3	31	24	28	379	.090	.79	.61	.71

Dimensions

Model Number	NPT ¹	A Feet	A m
ESS-024	2"	2	.61
ESS-036	2"	3	.91
ESS-048	2"	4	1.22

1. To specify British Standard Pipe Threads, add suffix **-BSP** to Catalog Number

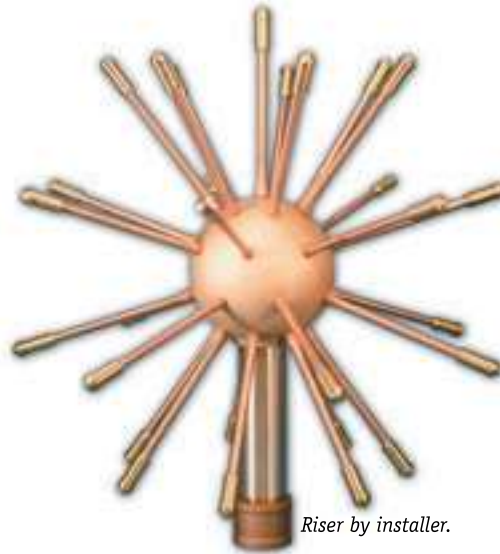
Dandelion

Water Effect: Creates a sphere of flat circles of water.

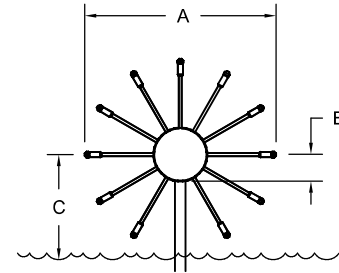
Performance Characteristics: The Dandelion has very small orifices and is subject to wind. 100% filtration is recommended to minimize maintenance.



Sphere



Riser by installer.



- **Water Level Dependent** - No
- **Wind Resistance** - Poor
- **Sound Level** - Moderate
- **Clogging Potential** - High
- **Splash Radius** - 2.0

Material: Machined brass, cast bronze, and copper

Finish: Natural brass, bronze, and copper

Model Number	Number of Arms	Ball Dia. Inches	Pool Dia. Feet	GPM	Head Feet	Ball Dia. mm	Pool Dia. m	LPM	Bar
N-300	29	10	15	75	15	254	4.6	284	.448
N-301	29	10	18	75	16	254	5.5	284	.478
N-305	61	10	18	155	16	254	5.5	587	.478
N-306	61	10	20	155	17	254	6.1	587	.508
N-307	61	10	24	155	17	254	7.3	587	.508
N-320	253	20	30	630	19	508	9.1	2,385	.568
N-325	385	20	35	960	20	508	10.7	3,634	.598

Model Number	NPT ¹	Dimensions					
		A Feet	B Inches	C Feet	A m	B mm	C m
N-300	2½"	3	5	3.5	.91	127	1.07
N-301	2½"	4	5	4	1.22	127	1.22
N-305	2½"	4	5	4	1.22	127	1.22
N-306	2½"	5	5	4.5	1.52	127	1.37
N-307	2½"	6	5	5	1.83	127	1.52
N-320†	6"	8	8¾	6	2.44	222	1.83
N-325†	6"	10	8¾	7	3.05	222	2.13

1. To specify British Standard Pipe Threads, add suffix **-BSP** to Catalog Number
 † Flanged inlet connection

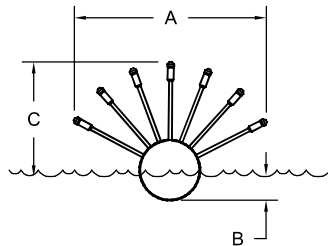
Water Effect: Creates a hemisphere of flat circles of water.

Performance Characteristics: The Dandelion Hemisphere has very small orifices and is subject to wind. 100% filtration is recommended to minimize maintenance.



Hemisphere

- **Water Level Dependent** - No
- **Wind Resistance** - Poor
- **Sound Level** - Moderate
- **Clogging Potential** - High
- **Splash Radius** - 2.0



Material: Machined brass, cast bronze, and copper

Finish: Natural brass, bronze, and copper

Model Number	Number of Arms	Ball Dia. Inches	Pool Dia. Feet	GPM	Head Feet	Ball Dia. mm	Pool Dia. m	LPM	Bar
N-310	15	10	7	38	11	254	2.13	144	.329
N-311	15	10	10	38	12	254	3.05	144	.359
N-312	31	10	10	80	12	254	3.05	303	.359
N-313	31	10	12	80	13	254	3.66	303	.389
N-314	31	10	14	80	13	254	4.27	303	.389
N-330	145	20	18	370	14	508	5.49	1,401	.419
N-335	193	20	22	485	15	508	6.71	1,836	.448

Model Number	NPT ¹	Dimensions					
		A Feet	B Inches	C Feet	A m	B mm	C m
N-310	2 ¹ / ₂ "	3	5	1.5	.91	127	.46
N-311	2 ¹ / ₂ "	4	5	2	1.22	127	.61
N-312	2 ¹ / ₂ "	4	5	2	1.22	127	.61
N-313	2 ¹ / ₂ "	5	5	2.5	1.52	127	.76
N-314	2 ¹ / ₂ "	6	5	3	1.83	127	.91
N-330†	6"	8	8 ³ / ₄	4	2.44	222	1.22
N-335†	6"	10	8 ³ / ₄	5	3.05	222	1.52

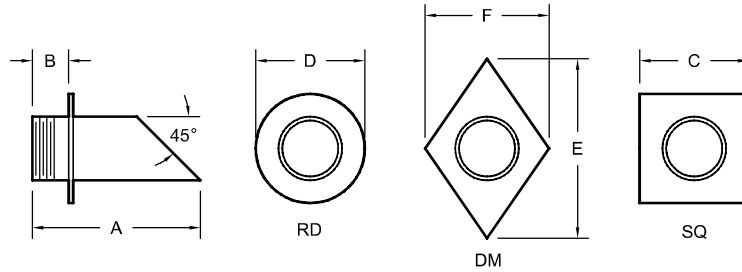
1. To specify British Standard Pipe Threads, add suffix **-BSP** to Catalog Number

† Flanged inlet connection

Scupper

Water Effect: Emits a smooth flow of water.

Performance Characteristics: The Scupper is easy to install and operate and provides a cost-effective design solution. When ordering, specify back plate - Round (RD), Diamond (DM), or Square (SQ).



- **Water Level Dependent** - No
- **Wind Resistance** - Fair-Good
- **Sound Level** - Low
- **Clogging Potential** - Low
- **Splash Radius** - 1.0

Material: Machined brass

Finish: Natural brass

Model Number	Recommended Flow Rate (GPM)	Recommended Flow Rate (LPM)
EWS-200	5	19
EWS-300	10	38
EWS-400	15	57

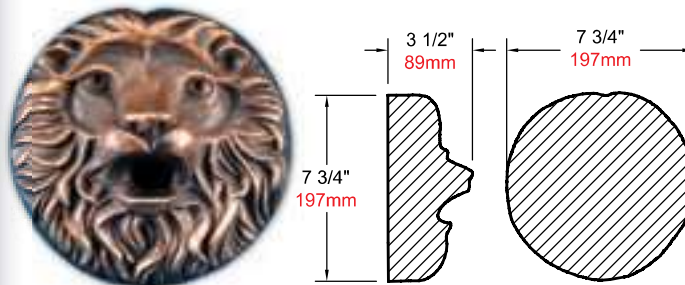
Model Number	NPT ¹	A Inches	B Inches	C Inches	D Inches	E Inches	F Inches	A mm	B mm	C mm	D mm	E mm	F mm
EWS-200	2"	7 ¹ / ₈	1 ³ / ₄	4	4	6 ¹ / ₂	4 ¹ / ₂	181	44	102	102	165	114
EWS-300	3"	11 ¹ / ₂	2	6	6	9 ³ / ₄	6 ³ / ₄	292	51	152	152	248	171
EWS-400	4"	15 ¹ / ₄	2 ¹ / ₄	8	8	13	9	387	57	203	203	330	229

1. To specify British Standard Pipe Threads, add suffix **-BSP** to Catalog Number

Wall Font

Water Effect: Emits a solid stream of water.

Performance Characteristics: The Decorative Wall Font is easy to install and operate and provides a cost-effective design solution. Supplied with mounting ring and 1/4" NPT nozzle with .250" orifice.



- **Water Level Dependent** - No
- **Wind Resistance** - Fair-Good
- **Sound Level** - Moderate
- **Clogging Potential** - Moderate
- **Splash Radius** - 1.0

Material: Cast bronze

Finish: Burnished dark bronze

Maximum Recommended Flow Rate: 3 GPM @ 4' Head; 12 LPM @ .12 Bar

Swivel:

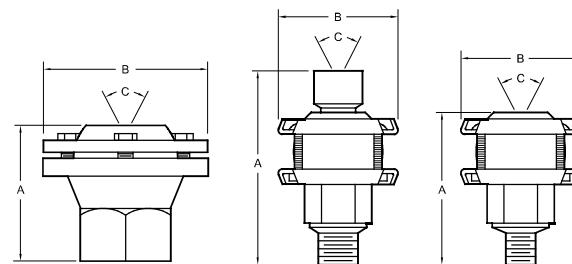
Swivels are only recommended for minor nozzle alignment as the maximum adjustment of a swivel can create turbulence which will distort the effect.

Material: Machined cast bronze or brass

Finish: Natural bronze or brass

Model Number	NPT ¹	A Inches	B Inches	C Degrees	A mm	B mm	C Degrees
EXB-012	1/8"	1 1/4	1 1/2	40	32	38	40
EXB-025	1/4"	1 1/2	2	40	38	51	40
EXB-037	3/8"	1 1/2	2	40	38	51	40
EXB-050	1/2"	2 1/2	3	40	64	76	40
EXB-075	3/4"	3 1/2	3	40	89	76	40
EXB-100	1"	2 3/4	2 3/4	30	57	70	30
EXB-125	1 1/4"	2 1/2	3 1/4	30	64	83	30
EXB-150	1 1/2"	2 3/4	3 3/8	30	70	92	30
EXB-200	2"	3 5/8	4 1/2	30	92	114	30
EXB-300	3"	5 1/2	6 1/8	30	140	156	30

1. To specify British Standard Pipe Threads, add suffix **-BSP** to Catalog Number (EXB-012 - EXB-075 not available with BSP.)



Floor Swivel:

Floor Swivels are designed to be cast into the floor or wall of a pool. As with standard swivels, these units are recommended only for minor nozzle alignment. Supplied with protective construction covers for the fasteners.

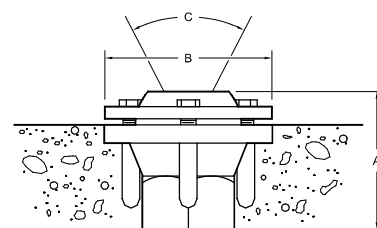
Material: Machined cast bronze

Finish: Natural bronze



Model Number	NPT ¹	A Inches	B Inches	C Degrees	A mm	B mm	C Degrees
FFS-100	1"	2 1/4	2 3/4	30	57	70	30
FFS-125	1 1/4"	2 1/2	3 1/4	30	64	83	30
FFS-150	1 1/2"	2 3/4	3 3/8	30	70	92	30
FFS-200	2"	3 5/8	4 1/2	30	92	114	30
FFS-300	3"	5 1/2	6 1/8	30	140	156	30

1. To specify British Standard Pipe Threads, add suffix **-BSP** to Catalog Number



Floor Swivels



AET

Fountain in a Can™

Patent Pending

Smooth Bore in a Can™ : 38

Dominator in a Can™ : 38

Geyser in a Can™ : 39

Foam Jet in a Can™ : 39

Peacock Jet in a Can™ : 40

Water Castle in a Can™ : 40

Arch Jet in a Can™ : 40

Bubbler in a Can™ : 41

Mushroom Jet in a Can™ : 41

Jet Pod in a Can™ : 41

Custom : 42-43

7" Top Plate

Fountain in a Can™ : 7" Top Plate

Construction: Single piece, type 304 deep-drawn stainless steel housing with a 1" FPT inlet, grounding connection, cast bronze top cover, EPDM 70 durometer o-ring, and 18/8 stainless steel fasteners. Unit is supplied with a high density polyethylene (HDPE) construction cover, three 3/8" x 12" x 2" stainless steel anchor bolts with leveling nuts and washers, and a wood template.

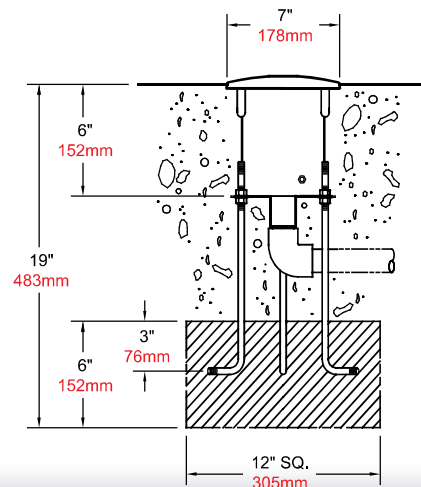
Nozzle: Precision machined brass.

Finish: Standard finish is Natural Bronze.

Optional finishes, Dark Bronze (DB), or Verde Green (VG). Contact factory for custom finishes.



Patent Pending



Smooth Bore in a Can™

Cat. No. : FIC-S700

This elegantly simple solid stream water effect has 30° vertical adjustability on a 360° axis.



Model Number	Top Diam.	Inlet FPT	Spray Height - Ft. Spray Height - m	2	4	6	8	10	12
				FIC-S700	7" 178mm	1"	GPM	.61	1.22
			Head Ft.	2	4	6.5	8.25	10	13
			LPM	3	6	9	12	14	20
			Bar	8	16	25	32	38	50
				.09	.18	.27	.36	.42	.60

Dominator in a Can™

Cat. No. : FIC-D700

A unique water level independent aerated stream effect.



Model Number	Top Diam.	Inlet FPT	Spray Height - Ft. Spray Height - m	3	4	5	6	8	10
				FIC-D700	7" 178mm	1"	GPM	.91	1.22
			Head Ft.	7	8	9	10	12	15
			LPM	4.5	7	8	10.5	14	17.5
			Bar	27	31	35	38	46	57
				.14	.21	.24	.31	.42	.52

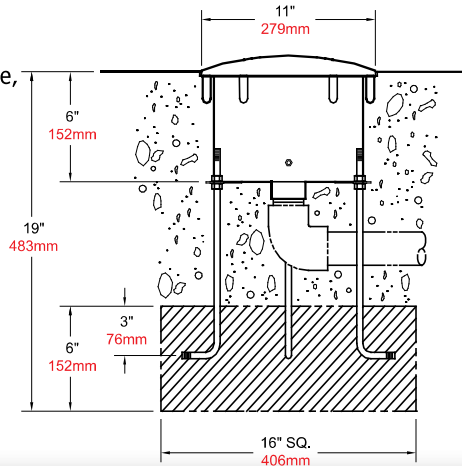
Fountain in a Can™ : 11" Top Plate

11" Top Plate

Construction: Single piece, type 304 deep-drawn stainless steel housing with a 1½" FPT inlet and grounding connection, cast bronze top cover, EPDM 70 durometer o-ring, and 18/8 stainless steel fasteners. Unit is supplied with a high density polyethylene (HDPE) construction cover, three ¾" x 12" x 2" stainless steel anchor bolts with leveling nuts and washers, and a wood template.

Nozzle: Precision machined brass, cast bronze, or copper.

Finish: Standard finish is Natural Bronze. Optional finishes, Dark Bronze (DB), or Verde Green (VG). Contact factory for custom finishes.



Cat. No. : FIC-G1100

The original Geyser pine-tree shaped water effect in a water level independent configuration.

Model Number	Top Diam.	Inlet FPT	Spray Height - Ft.	3	5	7	10
FIC-G1100	11" 279mm	1½"	Spray Height - m	.91	1.52	2.13	3.05
			GPM	58	75	83	95
			Head Ft.	12	18	24	28
			Spread - Ft.	2	4	5	7
			LPM	220	284	315	360
			Bar	.36	.54	.72	.84
			Spread - m	.61	1.22	1.52	2.13

Geyser in a Can™



Cat. No. : FIC-F1100

The Foam Jet creates a full foamy stream of water.

Model Number	Top Diam.	Inlet FPT	Spray Height - Ft.	1	2	3	4	5	6
FIC-F1100	11" 279mm	1½"	Spray Height - m	.30	.61	.91	1.22	1.52	1.83
			GPM	13	20	26	29	31	36
			Head Ft.	3	6	10	13	15	19
			LPM	50	76	99	110	118	137
			Bar	.09	.18	.30	.39	.45	.57
			Spread - m	.15	.30	.45	.60	.75	.90

Foam Jet in a Can™



Peacock Jet in a Can™

Cat. No. : FIC-P1100

The Peacock Jet has a unique aerated full fan effect.



Model Number	Top Diam.	Inlet FPT	Spray Height - Ft.	4	5	6	8	10	12
FIC-P1100	11" 279mm	1½"	Spray Height - m	1.22	1.52	1.83	2.44	3.05	3.66
			GPM	80	95	100	115	130	140
			Head Ft.	5	7	8	12	14	19
			Spread - Ft.	4	5	6	10	12	18
			Thickness - Ft.	1.5	1.7	2	2.5	3	3.6
			LPM	303	360	379	436	493	530
			Bar	.15	.21	.24	.36	.42	.57
			Spread - m	1.22	1.52	1.83	3.05	3.66	5.49
			Thickness - m	.46	.52	.61	.76	.91	1.10

Water Castle in a Can™

Cat. No. : FIC-W1100

The classic "Fleur-de-Lis" shape of the Water Castle can stand alone.



Model Number	Top Diam.	Inlet FPT	Spray Height - Ft.	4	5	6	8	10	12	14
FIC-W1100	11" 279mm	1½"	Spray Height - m	1.22	1.52	1.83	2.44	3.05	3.66	4.27
			GPM	30	35	40	51	57	66	70
			Head Ft.	5	6	7	10	13	17	20
			Spread - Ft.	2	3	4	5	6	7	8
			LPM	114	133	152	194	216	250	265
			Bar	.15	.18	.21	.30	.39	.51	.60
			Spread - m	.61	.91	1.22	1.52	1.83	2.13	2.44

Arch Jet in a Can™

Cat. No. : FIC-A1100

A simple multi-stream effect, arching outward.



Model Number	Top Diam.	Inlet FPT	Spray Height - Ft.	4	6	8	10
FIC-A1100	11" 279mm	1½"	Spray Height - m	1.22	1.83	2.44	3.05
			GPM	18	24	27	32
			Head Ft.	5	7	10	13
			Spread - Ft.	8	12	16	20
			LPM	69	91	103	122
			Bar	.15	.21	.30	.39
			Spread - m	2.44	3.66	4.88	6.10

Cat. No. : FIC-B1100

Bubbler in a Can™

A simple pulsing mound of highly aerated water.

Model Number	Top Diam.	Inlet FPT	Spray Height - Ft.	1	1.5	2	2.5
			Spray Height - m	.30	.46	.61	.76
FIC-B1100	11" 279mm	1½"	GPM	42	45	50	58
			Head Ft.	10	11	12	17
			Spread - Ft.	1	1.5	1.75	2
			LPM	159	171	190	220
			Bar	.30	.33	.36	.51
			Spread - m	.31	.46	.53	.61



Cat. No. : FIC-M1100

Mushroom Jet in a Can™

The Mushroom Jet creates a clear inverted dome sheet of water.

Model Number	Top Diam.	Inlet FPT	Spray Height - Ft.	1	1.5	2	2.5	3
			Spray Height - m	.30	.46	.61	.76	.91
FIC-M1100	11" 279mm	1½"	GPM	25	28	30	33	35
			Head Ft.	6	6.5	7	7.5	8
			Spread - Ft.	3	4.5	6	7.5	9
			LPM	95	106	114	125	133
			Bar	.18	.19	.21	.22	.24
			Spread - m	.91	1.37	1.83	2.29	2.74



Cat. No. : FIC-J1100

Jet Pod in a Can™

The Jet Pod creates a massive vertical multi-jet stream column of water.

Model Number	Top Diam.	Inlet FPT	Spray Height - Ft.	2	4	6	8	10	12
			Spray Height - m	.61	1.22	1.83	2.44	3.05	3.66
FIC-J1100	11" 279mm	1½"	GPM	40	58	75	93	110	132
			Head Ft.	3	6	9	12	14	16
			Spread - Ft.	2	3	4	4.5	5	6
			LPM	152	220	284	353	417	500
			Bar	.09	.18	.27	.36	.42	.48
			Spread - m	.61	.91	1.22	1.37	1.52	1.83



Custom



Fountain in a Can™ is available in custom configurations for a wide range of applications. In addition to a full range of water effects, both LED and Quartz (MR-16) lighting sources may be incorporated into the Fountain in a Can™ custom housing. Housings are also able to accommodate multiple water effects as well as our fast-acting **XLR8™** valve. Other options include architecturally finished cast bronze top covers and integral drains. For more information or design assistance, contact our Design Department at (512)392-1155 or design@fountainpeople.com.



Lighting Options

LED Lighting

Custom Fountain in a Can™ units are available with the unique LUMEN-360™ LED color changing fixture in stainless steel top cover designs. This fixture is supplied with an interface card that supports custom programming with the DMX protocol.



Quartz (MR16) Lighting

Both stainless steel and bronze tops can accommodate our compact MR-16 fixture. The light fixture has a clear tempered lens and is available with dichroic lenses where colored light, either fixed or sequenced, is desired.



Fountain in a Can™ allows you to design multiple water effects into the same housing. Mister nozzles are frequently used in support of solid stream or vertical water effects. Sheet effects may also be combined with many vertical effects. Effects may operate simultaneously or may be sequenced independently. For more information or design assistance, contact our Design Department at (512)392-1155 or design@fountainpeople.com.



Fountain People's **XLR8™** fast-acting valve offers high performance and exceptional durability at a reasonable cost. This unique valve is able to control a full range of nozzles in fast on-off sequencing action. This valve sets a new industry standard of performance. For more information or design assistance, contact our Design Department at (512)392-1155 or design@fountainpeople.com.

XLR8™





Bronzes

Lion : 46

Tiger : 46

Bear : 46

Dolphin : 47

Hummingbird : 47

North Wind : 47

Frog : 47

Sun : 48

Water Lilies : 48

Rosette : 48

Angel : 48

Scupper : 49

Mediterranean Scupper : 49

Shell Sconce : 49

Classic Shell Sconce : 49

Leaf & Vine Escutcheon : 50

Lotus Escutcheon : 50

Papyrus Escutcheon : 50

Drain Cover : 50

Lion



Lion

The handsome Lion is our most popular piece. Examples of this design date back to the fountains of ancient Rome. The finish of this piece is as traditional as the design; dark bronze with hand burnished highlights. Supplied with an adjustable nozzle, mounting ring, and set screws.

Dimensions: 12¹/₈" High x 10⁷/₈" Wide x 5¹/₄" Projection

30.8cm High x 27.6cm Wide x 14.4cm Projection

Weight: 14 lbs.

6.35 kg

Tiger



Tiger

This fierce Tiger will definitely draw attention to your fountain. The finish is hand burnished with stripes detailed in dark brown. Supplied with an adjustable nozzle, mounting ring, and set screws.

Dimensions: 13" High x 12¹/₂" Wide x 5" Projection

33cm High x 31.8cm Wide x 12.7cm Projection

Weight: 16¹/₂ lbs.

7.5 kg

Bear



Bear

The awesome power of the Bear makes for an impressive fountain focal point. The finish is a rich brown patina with hand burnished highlights. Supplied with an adjustable nozzle, mounting ring, and set screws.

Dimensions: 13³/₁₆" High x 10" Wide x 6¹/₂" Projection

35.1cm High x 25.4cm Wide x 16.5cm Projection

Weight: 14¹/₂ lbs.

6.6 kg

Bronzes by Sculptor Greg Workman.

Dolphin

This wall font captures a playful dolphin riding a cresting wave. The Dolphin is brightly hand burnished to contrast with the wonderfully rich verde green wave. Supplied with hose barb fitting, mounting ring, and set screws.

Dimensions: 7⁵/₈" High x 8¹/₄" Wide x 5" Projection

19.4cm High x 21cm Wide x 12.7cm Projection

Weight: 8 lbs.

3.6 kg

Dolphin



Hummingbird

The inspiration for this piece is Nature herself. The artist as a boy spent many hours in his grandparents' garden marveling at the graceful acrobatics of the entertaining Hummingbird. The finish is a traditional antique bronze patina with hand burnished highlights. Supplied with adjustable nozzle, mounting ring and set screws.

Dimensions: 10³/₄" High x 8¹/₄" Wide x 5¹/₄" Projection

27.3cm High x 21cm Wide x 13.3cm Projection

Weight: 8 lbs.

3.6 kg

Hummingbird



North Wind

Those who have experienced it will recognize the harsh face of the North Wind. The design was inspired by a self-portrait by the master Renaissance sculptor Giovanni Lorenzo Bernini. The finish is a traditional dark bronze patina with hand burnished highlights to heighten the drama of this unique piece. Supplied with adjustable nozzle, mounting ring and set screws.

Dimensions: 10¹/₂" High x 9¹/₂" Wide x 4" Projection

26.7cm High x 24.1cm Wide x 10.2cm Projection

Weight: 10 lbs.

4.5 kg

North Wind



Frog

The serene Frog suns himself on a lily pad. A delicate stream of water flows from his mouth and into the pond. The finish is a verde green patina with hand burnished highlights.

Dimensions: 8" Long x 7¹/₂" Wide x 3¹/₄" High

20.3cm Long x 19.1cm Wide x 8.3cm High

Weight: 5 lbs.

2.3 kg

Frog



Frog by Jen Rhodes.

Bronzes by Sculptor Greg Workman.

Sun



Sun

The smiling face of old Sol is embodied in this beautiful 10" diameter fountainhead. The finish is a unique combination of warm tones over a traditional dark bronze patina with hand burnished details. Supplied with adjustable nozzle, mounting ring and set screws.

Dimensions: 10" Diameter x 2½" Projection

25.4cm Diameter x 6.4cm Projection

Weight: 10 lbs.

4.5 kg

Water Lilies



Water Lilies

The age-old art of lost wax casting allows the exquisite detailing of this array of Water Lilies. The finish is the time honored verde green patina. A patina made popular by the world renowned Auguste Rodin. Unit is supplied with hose barb fitting, mounting ring and set screws.

Dimensions: 7½" Diameter x 3" Projection

19.1cm Diameter x 7.6cm Projection

Weight: 6 lbs.

2.7 kg

Rosette



Rosette

The rosette design has a long-standing tradition in architecture. Our Rosette is a contemporary interpretation of this time-honored classic. The finish is a classic verde green patina with delicate bronze highlights. Unit is supplied with adjustable nozzle, mounting ring and set screws.

Dimensions: 9½" Diameter x 3" Projection

24.1cm Diameter x 7.6cm Projection

Weight: 9 lbs.

4.1 kg

Angel



Angel

The bodacious Angel hovers over a waterspout, ushering in the heavenly sounds of flowing water. The finish is a traditional antique bronze patina with hand burnished highlights. Supplied with hose barb fitting, mounting ring and set screws.

Dimensions: 9½" High x 7½" Wide x 5½" Projection

24.1cm High x 19.1cm Wide x 13cm Projection

Weight: 9 lbs.

4.1 kg

Bronzes by Sculptor Greg Workman.

Scupper

This elegantly simple bronze Scupper may be utilized in many settings and designs. The finish is traditional dark bronze with hand burnished highlights. Supplied with a 1½" FPT connection.

Dimensions: 5½" Diameter x 5¼" Projection

14cm Diameter x 13.3cm Projection

Weight: 5 lbs.

2.3 kg



Mediterranean Scupper

Scuppers are perhaps the oldest known fountain features. Ancient fountains were both beautiful and functional and served the water needs of the community. The scupper was where people would fill their water vessels to take back to their homes. The finish is a combination of traditional dark bronze and verde green. Supplied with a 1½" FPT connection.

Dimensions: 5¾" Diameter x 5¼" Projection

13.7cm Diameter x 13.3cm Projection

Weight: 4 lbs.

1.8 kg



Shell Sconce

This perfectly formed and detailed Shell Sconce creates an array of five streams of falling water. The finish of this piece is as old as the design. The beautiful mottled verde green patina with subtle highlights is intended to give any fountain a time worn look. Supplied with a brass bulkhead fitting, and set screws.

Dimensions: 4½" High x 11¾" Wide x 4¼" Projection

11.4cm High x 30cm Wide x 10.8cm Projection

Weight: 8 lbs.

3.6 kg



Shell Sconce

Classic Shell Sconce

The Classic Shell Sconce exudes sophistication and elegance. The finish is a beautiful mottled verde green patina with subtle highlights to accent detail. Supplied with a brass bulkhead fitting and brass mounting screws.

Dimensions: 4½" High x 17" Wide x 4¾" Projection

11.4cm High x 43.2cm Wide x 12.1cm Projection

Weight: 12 lbs.

5.4 kg



Classic Shell Sconce

Bronzes by Sculptor Greg Workman.

Leaf & Vine Escutcheon



Leaf & Vine Escutcheon

The delicate Leaf and Vine pattern of this escutcheon will complement most architectural styles. This versatile casting may be utilized as a cover plate for a hidden fountain nozzle or it may be wall mounted. The finish is a verde green patina with subtle highlights.

Dimensions: 7½" Diameter x 4" Deep

19.1cm Diameter x 10.2cm Deep

Weight: 6 lbs.

2.7 kg

Lotus Escutcheon



Lotus Escutcheon

The lotus archetype is found in the Middle Eastern fountain tradition. Examples of this design can be found in palace details, battle shields and tapestries. This versatile casting may be utilized as a cover plate for a hidden fountain nozzle or mounted on a wall. Finish is a traditional dark bronze with hand burnished detailing.

Dimensions: 7¾" Diameter x 1⅞" Deep

19.7cm Diameter x 4.8cm Deep

Weight: 7 lbs.

3.2 kg

Papyrus Escutcheon



Papyrus Escutcheon

The original inspiration for this piece was a hand carved ceiling detail of a Middle Eastern palace. This ornate casting may be utilized as a cover plate for a hidden fountain nozzle or mounted on a wall. The finish is a verde green patina with hand burnished details.

Dimensions: 7¾" Diameter x 1⅞" Deep

19.7cm Diameter x 2.9cm Deep

Weight: 4 lbs.

1.8 kg

Drain Cover



Drain Cover

This beautifully detailed drain cover is designed for the exceptional project. Finish is dark bronze with hand burnished highlights. For mounting requirements, contact us at design@fountainpeople.com. Matching stainless steel drain sumps are available.

Dimensions: 13½" Diameter x ⅝" Deep

34.3cm Diameter x 1.6cm Deep

Weight: 8 lbs.

3.6 kg

Bronzes by Sculptor Greg Workman.





Fountain Lighting & Accessories

LED Fixtures

Lumen 360™ : 54

Lumen 180™ : 55

Lumen Spot™ : 55

Lumen Dot™ : 56

CLED Controller : 56

Freestanding Fixtures

LLP Series : 57-58

F-1035 : 58

F-1035LV : 59

LP-250 : 59

LNP-ML(X) Series : 60

LLP-B : 60

Wet Niche Fixtures

LLN Series : 61-62

F-1035AN : 62

F-1035AN-LV : 63

LP-250N : 63

LNN-ML(X) Series : 64

FR-43N-RG : 64

Accessories

Junction Boxes : 65-67

Cord Seals/Strain Reliefs : 68

Stepdown Transformers : 68

Potting Compound : 68

Lamp Data : 69

Lumen 360™

US Patent Nos. 495087, 48887



Model Number: LED-360

The unique Lumen 360™ is designed to surround a stream water effect to create optimal illumination from all sides.

Housing: 20 gauge deep drawn stainless steel, gas filled and permanently sealed. Circuit board and lamp bases are totally encapsulated in a heat-dissipating epoxy compound to prevent moisture intrusion.

Mounting: Available with yoke and base mounting (YK), riser mounting (R), or bracket mounting (BR).

Lens: 3/16" thick, flat tempered glass.

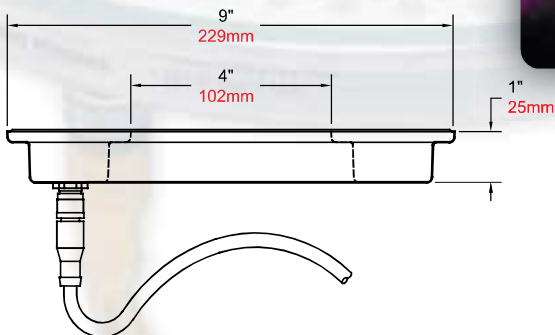
Lamps: (288) LED with 15° beam angle.

Lamp Colors: The lamp mix and distribution of red, green, and blue diodes is designed to maximize lumen output through over 16 million color variations.

Color Capabilities: Fades and multi-color strobe using CLED Series Controllers (See pg. 56).

Power Connection: Furnished with thirty feet of Type STOW submersible non-wicking cable with IP68 waterproof connector.

Power: 14 VDC.



Lumen 360™

Color	Lux ¹ at Distance from Source				
	1m	2m	3m	4m	5m
All	1600	450	210	120	76
Red	510	150	68	38	26
Green	710	220	96	64	38
Blue	270	80	36	20	13

1. Lux = lumens/m²

Model Number: LED-180

The unique linear Lumen 180™ may be applied in a range of lighting applications appropriate to its shape and is particularly effective in lighting sheet flow water effects and for perimeter lighting.

Housing: 20 gauge deep drawn stainless steel, gas filled and permanently sealed. Circuit board and lamp bases are totally encapsulated in a heat-dissipating epoxy compound to prevent moisture intrusion.

Mounting: Available with yoke and base mounting (YK), riser mounting (R), or bracket mounting (BR).

Lens: 3/16" thick, tempered glass.

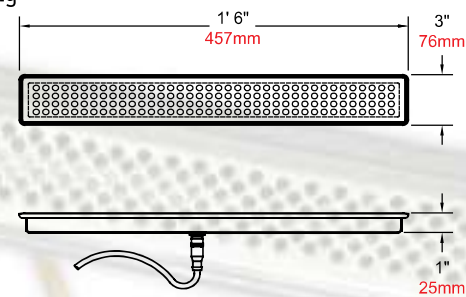
Lamps: (260) LED with 15° beam angle.

Lamp Colors: The lamp mix and distribution of red, green, and blue diodes is designed to maximize lumen output through over 16 million color variations.

Color Capabilities: Fades and multi-color strobe using CLED Series Controllers (See pg. 56).

Power Connection: Furnished with thirty feet of Type STOW submersible non-wicking cable with IP68 waterproof connector.

Power: 14 VDC.



Lumen 180™

Color	Lux ¹ at Distance from Source				
	1m	2m	3m	4m	5m
All	1000	290	140	76	52
Red	480	140	64	36	24
Green	450	130	60	34	24
Blue	88	28	12	7	4.8

1. Lux = lumens/m²

Model Number: LED-300

The Lumen Spot™ is a versatile compact fixture suitable to a wide range of lighting tasks.

Housing: 20 gauge deep drawn stainless steel, gas filled and permanently sealed. Circuit board and lamp bases are totally encapsulated in a heat-dissipating epoxy compound to prevent moisture intrusion.

Mounting: Available with yoke and base mounting (YK), riser mounting (R), or bracket mounting (BR).

Lens: 3/16" thick, tempered glass.

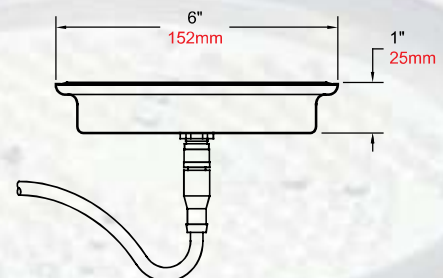
Lamps: (156) LED with 15° beam angle.

Lamp Colors: The lamp mix and distribution of red, green, and blue diodes is designed to maximize lumen output through over 16 million color variations.

Color Capabilities: Fades and multi-color strobe using CLED Series Controllers (See pg. 56).

Power Connection: Furnished with thirty feet of Type STOW submersible non-wicking cable with IP68 waterproof connector.

Power: 14 VDC.



Lumen Spot™

Color	Lux ¹ at Distance from Source				
	1m	2m	3m	4m	5m
All	1100	290	130	72	48
Red	420	100	44	26	17
Green	450	120	56	30	19
Blue	220	56	26	15	9.5

1. Lux = lumens/m²

Model Number: LED-600

The Lumen Dot™ is a compact fixture designed for accent lighting.

Housing: 20 gauge deep drawn stainless steel, gas filled and permanently sealed. Circuit board and lamp bases are totally encapsulated in a heat-dissipating epoxy compound to prevent moisture intrusion.

Mounting: Available with yoke and base mounting (YK), riser mounting (R), or bracket mounting (BR).

Lens: 3/16" thick, flat tempered glass.

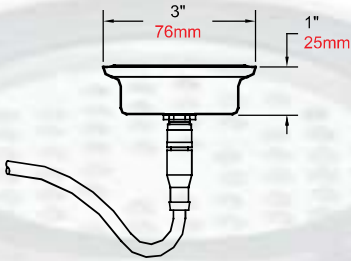
Lamps: (66) LED with 15° beam angle.

Lamp Colors: The lamp mix and distribution of red, green, and blue diodes is designed to maximize lumen output through over 16 million color variations.

Color Capabilities: Fades and multi-color strobe using CLED Series Controllers (See pg. 56).

Power Connection: Furnished with thirty feet of Type STOW submersible non-wicking cable with IP68 waterproof connector.

Power: 14 VDC.



Lumen Dot™

Color	Lux ¹ at Distance from Source				
	1m	2m	3m	4m	5m
All	480	120	52	32	19
Red	160	40	19	11	7.5
Green	210	48	20	12	8
Blue	88	26	11	6.5	4.3

1. Lux = lumens/m²

LED Control

CLED Series LED Light Controller

The CLED light controller uses multi-function DMX control interface cards capable of independently controlling up to fifteen Lumen Series light fixtures. This Controller can be used as a stand-alone unit to run "limited" lighting shows by manually selecting the modes with the built-in selector switches. These on-board controls provide for simple color fades, strobe effects, and color chases between fixtures. The Controller may also be interfaced with a DMX console or PC based controller to provide virtually limitless control of the lights, producing "real-time" shows as directed by one of these systems.

Our controller cards accept the DMX-512 protocol widely used in the entertainment industry.

Fountain People, Inc. offer full programming service.

Contact us at (512)392-1155 or design@fountainpeople.com with your specific requirements.

DMX Interface: DMX-512 control with multiple channel modes - Color Palette, Red Intensity, Green Intensity, Blue Intensity, Master Intensity, and Strobing.

Power Input: 120VAC.

Power Connections: Plug-in screw pin headers (furnished).

Safety: Underwriters Laboratories Listed.

Model Number	Number of Fixtures	Max. Wattage Output
CLED-5	5	108
CLED-10	10	216
CLED-15	15	324

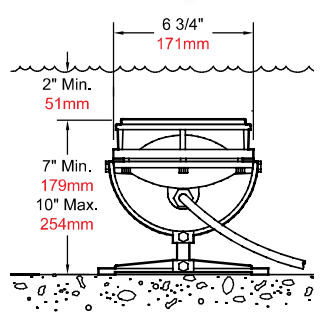
Underwater Freestanding

- Fixture Body:** Cast bronze with brass cord compression seal.
- Rock Guard:** Cast bronze, elevated for ease of maintenance.
- Yoke/Base:** Cast bronze with red brass riser. 90° angular adjustment on a 360° axis.
- Reflector:** Stamped, polished stainless steel.
- Wiring:** Furnished with ten feet of 16-3 Type STOW submersible cord; entry is totally encapsulated in an epoxy compound.
- Socket:** High temperature, mini-can screw base.
- Lamp:** Per chart. Supplied separately, add suffix **-LP** to catalog number to include lamp.
- Lens Gasket:** High temperature, single piece, molded silicone rubber.
- Lens:** Clear, convex, high temperature tempered glass.
- Safety:** Underwriters Laboratories Listed for underwater application. Supplied with an integral thermal cutoff device.
- Optional:** Colored lenses - red, blue, green, amber, and turquoise available.



100-500 Watts, 120 Volts
100 Watts, 12 Volts

Model Number	UL Max. Wattage Rating	Lamp Type	Watts	Volts	Lamp Life (Hours)
LLP-100LA	100	T4	100	12	1000
LLP-100HA	100		100	130	2000
LLP-150HA	150		150	130	2000
LLP-250HA	250		250	130	2000
LLP-500HA	500		500	130	2000



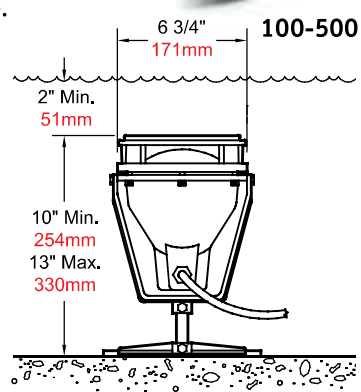
Underwater Freestanding

- Fixture Body:** Cast bronze with brass cord compression seal.
- Rock Guard:** Cast bronze, elevated for ease of maintenance.
- Yoke/Base:** Cast bronze with red brass riser. 90° angular adjustment on a 360° axis.
- Reflector:** Spun, polished stainless steel (not supplied with PAR38 versions).
- Wiring:** Furnished with ten feet of 16-3 Type STOW submersible cord; entry is totally encapsulated in an epoxy compound.
- Socket:** High temperature, mini-can screw base or porcelain medium screw base.
- Lamp:** Per chart. Supplied separately, add suffix **-LP** to catalog number to include lamp.
- Lens Gasket:** High temperature, single piece, molded silicone rubber.
- Lens:** Clear, convex, high temperature tempered glass.
- Safety:** Underwriters Laboratories Listed for underwater application. Supplied with an integral thermal cutoff device.
- Optional:** Colored lenses - red, blue, green, amber, and turquoise available.



100-500 Watts, 120 Volts

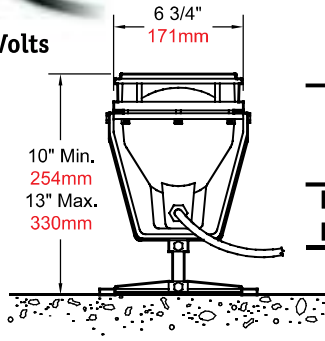
Model Number	UL Max. Wattage Rating	Lamp Type	Watts	Volts	Lamp Life (Hours)
LLP-100PHBA	100	PAR38	100	120	3000
LLP-116HBA	116	A21	116	120	8000
LLP-150PHBA	150	PAR38	150	130	5000
LLP-250HBA	250	T4	250	130	2000
LLP-250PHBA	250	PAR38	250	130	4000
LLP-500HBA	500	T4	500	130	2000



LLP-()BAX



100-150 Watts, 120 Volts



Underwater or Dry Freestanding

Fixture Body: Cast bronze with brass cord compression seal.

Rock Guard: Cast bronze, elevated for ease of maintenance.

Yoke/Base: Cast bronze with red brass riser. 90° angular adjustment on a 360° axis.

Wiring: Furnished with ten feet of 16-3 Type STOW submersible cord; entry is totally encapsulated in an epoxy compound.

Socket: Porcelain medium screw base.

Lamp: Per chart. Supplied separately, add suffix **-LP** to catalog number to include lamp.

Lens Gasket: High temperature, single piece, molded silicone rubber.

Lens: Clear, convex, high temperature tempered glass. *Not available with colored lenses.*

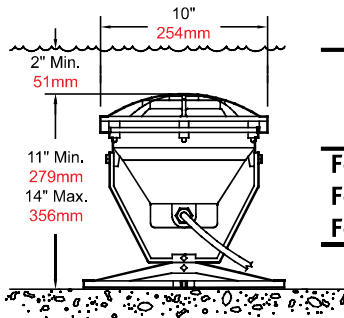
Safety: Underwriters Laboratories Listed for both underwater and dry use.

Model Number	UL Max. Wattage Rating	Lamp Type	Watts	Volts	Lamp Life (Hours)
LLP-100PHBAX	100	PAR38	100	120	3000
LLP-150PHBAX	150		150	130	5000

F-1035-()



300-1000 Watts, 120 Volts



Underwater Freestanding

Fixture Body: Cast bronze with brass cord compression seal.

Rock Guard: Cast bronze, integral to face ring.

Yoke/Base: Cast bronze with red brass riser. 90° angular adjustment on a 360° axis.

Wiring: Furnished with ten feet of 16-3 Type STOW submersible cord; entry is totally encapsulated in an epoxy compound.

Socket: High temperature, mogul end prong.

Lamp: Per chart. Supplied separately, add suffix **-LP** to catalog number to include lamp.

Lens Gasket: High temperature, single piece, molded silicone rubber.

Lens: Clear, convex, high temperature tempered glass.

Safety: Underwriters Laboratories Listed for underwater application. Supplied with an integral thermal cutoff device.

Optional: Colored lenses - red, blue, green, amber, and turquoise available.

Model Number	UL Max. Wattage Rating	Lamp Type	Watts	Volts	Lamp Life (Hours)
F-1035-300	300	PAR56	300	120	2000
F-1035-500	500		500	120	4000
F-1035-1000	1000	PAR64	1000	120	4000

Low Voltage Underwater Freestanding

Fixture Body: Cast bronze with brass cord compression seal.

Rock Guard: Cast bronze, integral to face ring.

Yoke/Base: Cast bronze with red brass riser. 90° angular adjustment on a 360° axis.

Wiring: Furnished with ten feet of 10-3 Type STOW submersible cord; entry is totally encapsulated in an epoxy compound.

Socket: Screw terminal.

Lamp: Per chart. Supplied separately, add suffix **-LP** to catalog number to include lamp.

Lens Gasket: High temperature, single piece, molded silicone rubber.

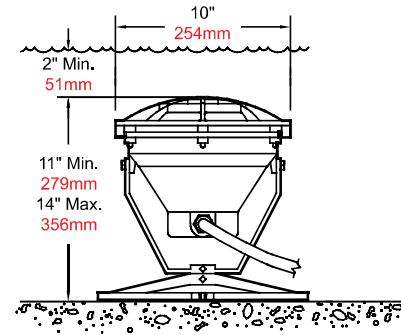
Lens: Clear, convex, high temperature tempered glass.

Safety: Underwriters Laboratories Listed for underwater application.

Optional: Colored lenses - red, blue, green, amber, and turquoise available.



300 Watts, 12 Volts



Model Number	UL Max. Wattage Rating	Lamp Type	Watts	Volts	Lamp Life (Hours)
F-1035-LV	300	PAR56	300	12	1000

Low Profile Underwater Freestanding

Fixture Body: Cast bronze with brass cord compression seal.

Rock Guard: Cast bronze, integral to face ring.

Yoke/Base: Cast bronze with red brass riser. 90° angular adjustment on a 360° axis.

Reflector: Anodized spun aluminum, polished or etched to produce spot, medium, or flood distribution.

Wiring: Furnished with ten feet of 16-3 Type STOW submersible cord; entry is totally encapsulated in an epoxy compound.

Socket: High temperature, mini-can screw base.

Lamp: Per chart. Supplied separately, add suffix **-LP** to catalog number to include lamp.

Lens Gasket: High temperature, single piece, molded silicone rubber.

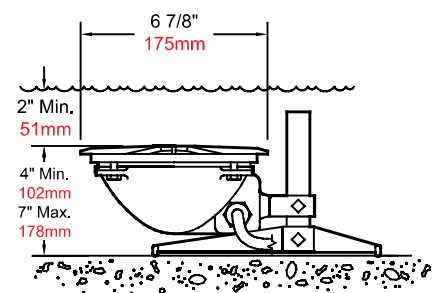
Lens: Clear, flat, high temperature tempered glass.

Safety: Underwriters Laboratories Listed for underwater application. Supplied with an integral thermal cutoff device.

Optional: Colored acrylic lens covers - red, blue, green, and amber available.



100-250 Watts, 120 Volts



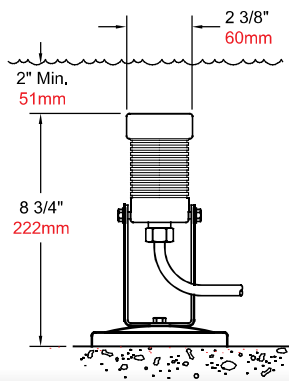
Model Number	Beam Spread	UL Max. Wattage Rating	Lamp Type	Watts	Volts	Lamp Life (Hours)
LP-250-S	Spot	250	T4	250	130	2000
LP-250-M	Medium	250		250	130	2000
LP-250-F	Flood	250		250	130	2000

LNP-()-ML(X)

Underwater/Submersible Freestanding



20-75 Watts, 12 Volts



Fixture Body: Machined brass with brass cord compression seal.
Yoke/Base: Cast bronze and brass. 90° angular adjustment on a 360° axis.
Wiring: Furnished with ten feet of 16-3 Type STOW submersible cord.
Socket: Bi-pin mount.
Lamp: Per chart. Supplied separately, add suffix **-LP** to catalog number to include lamp.
Lens Gasket: High temperature, Viton® O-ring.
Lens: Clear, flat, high temperature tempered glass.
Safety: Units through 50 watt size are Underwriters Laboratories Listed for both underwater and dry operation. 75 watt unit UL Listed for underwater application only.
Optional: For stainless steel rock guard add suffix **-RG** to catalog number.
Optional: Dichroic colored lenses - red, blue, green, amber, and turquoise available. Contact factory for custom colors.

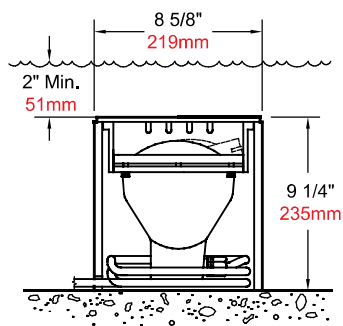
Model Number	UL Max. Wattage Rating	Lamp Type	Watts	Volts	Lamp Life (Hours)
LNP-20-MLX	20	MR16	20	12	4000
LNP-35-MLX	35		35	12	4000
LNP-50-MLX	50		50	12	4000
LNP-75-ML	75		75	12	4000

LLP-()-B

Underwater Freestanding



100-500 Watts, 120 Volts



Fixture Body: Cast bronze with brass cord compression seal.
Rock Guard: Cast bronze, elevated for ease of maintenance.
Mounting: Sleeve is black, schedule 40 fiberglass pipe. 15° angular adjustment on a 360° axis.
Reflector: Spun, polished stainless steel (not supplied with PAR38 versions).
Wiring: Furnished with ten feet of 16-3 Type STOW submersible cord; entry is totally encapsulated in an epoxy compound.
Socket: High temperature, mini-can screw base or porcelain medium screw base.
Lamp: Per chart. Supplied separately, add suffix **-LP** to catalog number to include lamp.
Lens Gasket: High temperature, single piece, molded silicone rubber.
Lens: Clear, convex, high temperature tempered glass.
Safety: Underwriters Laboratories Listed for underwater application. Supplied with an integral thermal cutoff device.
Optional: Colored lenses - red, blue, green, amber, and turquoise available.

Model Number	UL Max. Wattage Rating	Lamp Type	Watts	Volts	Lamp Life (Hours)
LLP-100PHB	100	PAR38	100	120	3000
LLP-116HB	116	A21	116	120	8000
LLP-150PHB	150	PAR38	150	130	5000
LLP-250HB	250	T4	250	130	2000
LLP-250PHB	250	PAR38	250	130	4000
LLP-500HB	500	T4	500	130	2000

Adjustable Underwater Wet Niche

Fixture Body: Cast bronze with brass cord compression seal.

Rock Guard: Cast bronze, elevated for ease of maintenance.

Wet Niche: Stainless steel with integral waterstop flange, grounding lug, and conduit hub with 15° angular adjustment on a 360° axis.

Reflector: Stamped, polished stainless steel.

Wiring: Furnished with twenty feet of 16-3 Type STOW submersible cord; entry is totally encapsulated in an epoxy compound.

Socket: High temperature, mini-can screw base.

Lamp: Per chart. Supplied separately, add suffix **-LP** to catalog number to include lamp.

Lens Gasket: High temperature, single piece, molded silicone rubber.

Lens: Clear, convex, high temperature tempered glass.

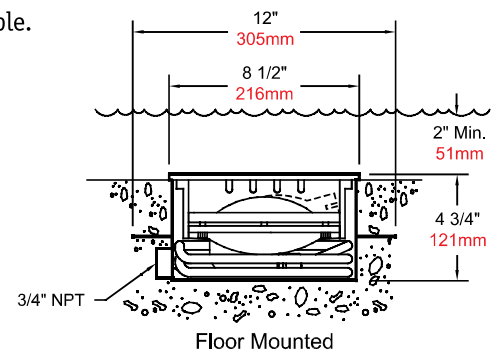
Safety: Underwriters Laboratories Listed for underwater application. Supplied with an integral thermal cutoff device.

Optional: Colored lenses - red, blue, green, amber, and turquoise available.



100-500 Watts, 120 Volts
100 Watts, 12 Volts

Model Number	UL Max. Wattage Rating	Lamp Type	Watts	Volts	Lamp Life (Hours)
LLN-100LA	100	T4	100	12	1000
LLN-100HA	100		100	130	2000
LLN-150HA	150		150	130	2000
LLN-250HA	250		250	130	2000
LLN-500HA	500		500	130	2000



Adjustable Underwater Wet Niche

Fixture Body: Cast bronze with brass cord compression seal.

Rock Guard: Cast bronze, elevated for ease of maintenance.

Wet Niche: Stainless steel with integral waterstop flange, grounding lug, and conduit hub with 15° angular adjustment on a 360° axis.

Reflector: Spun, polished stainless steel (not supplied with PAR38 versions).

Wiring: Furnished with twenty feet of 16-3 Type STOW submersible cord; entry is totally encapsulated in an epoxy compound.

Socket: High temperature, mini-can screw base or porcelain medium screw base.

Lamp: Per chart. Supplied separately, add suffix **-LP** to catalog number to include lamp.

Lens Gasket: High temperature, single piece, molded silicone rubber.

Lens: Clear, convex, high temperature tempered glass.

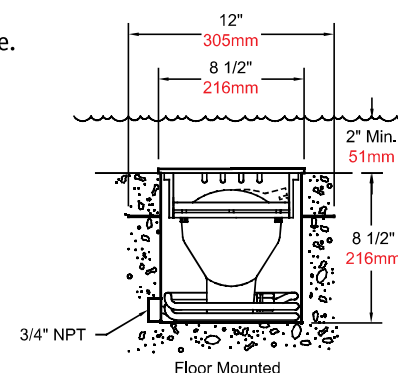
Safety: Underwriters Laboratories Listed for underwater application. Supplied with an integral thermal cutoff device.

Optional: Colored lenses - red, blue, green, amber, and turquoise available.



100-500 Watts, 120 Volts

Model Number	UL Max. Wattage Rating	Lamp Type	Watts	Volts	Lamp Life (Hours)
LLN-100PHBA	100	PAR38	100	120	3000
LLN-116HBA	116	A21	116	120	8000
LLN-150PHBA	150	PAR38	150	130	5000
LLN-250HBA	250	T4	250	130	2000
LLN-250PHBA	250	PAR38	250	130	4000
LLN-500HBA	500	T4	500	130	2000



LLN-()BX



100-150 Watts, 120 Volts

Adjustable Underwater or Dry, Niche Mounted

Fixture Body: Cast bronze with brass cord compression seal.

Rock Guard: Cast bronze, elevated for ease of maintenance.

Wet Niche: Stainless steel with integral waterstop flange, grounding lug, and conduit hub with 15° angular adjustment on a 360° axis.

Wiring: Furnished with twenty feet of 16-3 Type STOW submersible cord; entry is totally encapsulated in an epoxy compound.

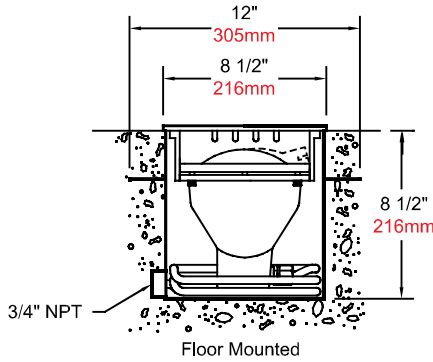
Socket: Screw terminal.

Lamp: Per chart. Supplied separately, add suffix **-LP** to catalog number to include lamp.

Lens Gasket: High temperature, single piece, molded silicone rubber.

Lens: Clear, convex, high temperature tempered glass. *Not available with colored lenses.*

Safety: Underwriters Laboratories Listed for both underwater and dry use.



Model Number	UL Max. Wattage Rating	Lamp Type	Watts	Volts	Lamp Life (Hours)
LLN-100PHBAX	100	PAR38	100	120	3000
LLN-150PHBAX	150		150	130	5000

F-1035AN-()



300-1000 Watts, 120 Volts

Adjustable Underwater Wet Niche

Fixture Body: Cast bronze with brass cord compression seal.

Rock Guard: Cast bronze, integral to face ring.

Wet Niche: Spun copper with grounding lug and conduit hub with a 15° angular adjustment on a 360° axis.

Wiring: Furnished with twenty feet of 16-3 Type STOW submersible cord; entry is totally encapsulated in an epoxy compound.

Socket: High temperature, mogul end prong.

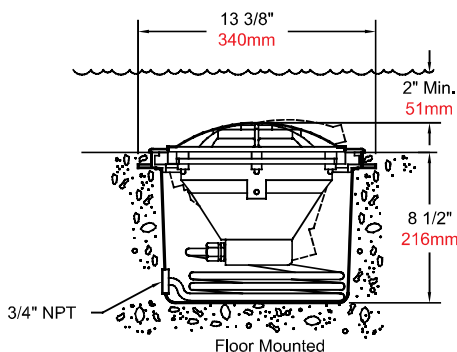
Lamp: Per chart. Supplied separately, add suffix **-LP** to catalog number to include lamp.

Lens Gasket: High temperature, single piece, molded silicone rubber.

Lens: Clear, convex, high temperature tempered glass.

Safety: Underwriters Laboratories Listed for underwater application. Supplied with an integral thermal cutoff device.

Optional: Colored lenses - red, blue, green, amber, and turquoise available.



Model Number	UL Max. Wattage Rating	Lamp Type	Watts	Volts	Lamp Life (Hours)
F-1035AN-300	300	PAR56	300	120	2000
F-1035AN-500	500		500	120	4000
F-1035AN-1000	1000	PAR64	1000	120	4000

Adjustable Underwater Wet Niche

Fixture Body: Cast bronze with brass cord compression seal.

Rock Guard: Cast bronze, integral to face ring.

Wet Niche: Spun copper with grounding lug and conduit hub; 15° angular adjustment on a 360° axis.

Wiring: Furnished with twenty feet of 10-3 Type STOW submersible cord; entry is totally encapsulated in an epoxy compound.

Socket: Screw terminal.

Lamp: Per chart. Supplied separately, add suffix **-LP** to catalog number to include lamp.

Lens Gasket: High temperature, single piece, molded silicone rubber.

Lens: Clear, convex, high temperature tempered glass.

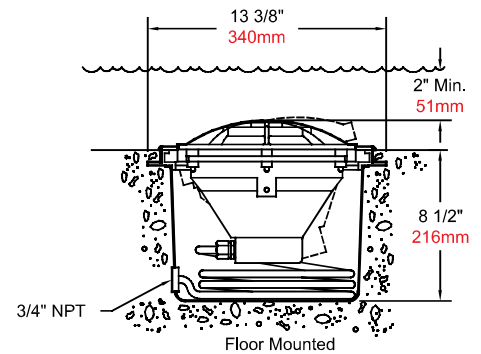
Safety: Underwriters Laboratories Listed for underwater application.

Optional: Colored lenses - red, blue, green, amber, and turquoise available.

F-1035AN-LV



300 Watts, 12 Volts



Model Number	UL Max. Wattage Rating	Lamp Type	Watts	Volts	Lamp Life (Hours)
F-1035AN-LV	300	PAR56	300	12	1000

Adjustable Low Profile Underwater Wet Niche

Fixture Body: Cast bronze with brass cord compression seal.

Rock Guard: Cast bronze, integral to face ring.

Wet Niche: Spun copper with grounding lug and conduit hub; 30° angular adjustment on a 360° axis.

Reflector: Anodized spun aluminum, polished or etched to produce spot, medium, or flood distribution.

Wiring: Furnished with twenty feet of 16-3 Type STOW submersible cord; entry is totally encapsulated in an epoxy compound.

Socket: High temperature, mini-can screw base.

Lamp: Per chart. Supplied separately, add suffix **-LP** to catalog number to include lamp.

Lens Gasket: High temperature, single piece, molded silicone rubber.

Lens: Clear, flat, high temperature tempered glass.

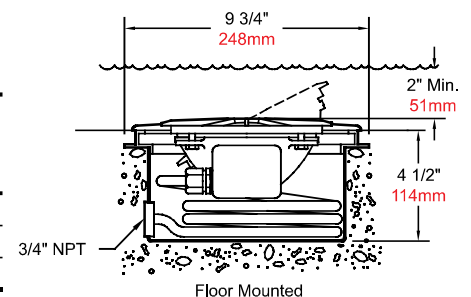
Safety: Underwriters Laboratories Listed for underwater application. Supplied with an integral thermal cutoff device.

Optional: Colored acrylic lens covers - red, blue, green, and amber available.

LP-250N-()



100-250 Watts, 120 Volts



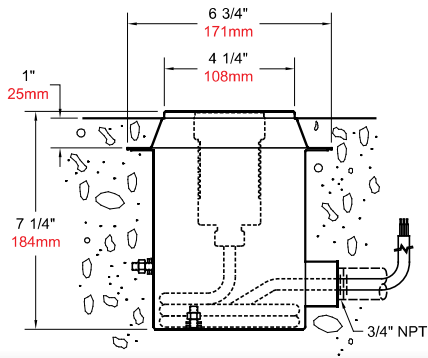
Model Number	Beam Spread	UL Max. Wattage Rating	Lamp Type	Watts	Volts	Lamp Life (Hours)
LP-250N-S	Spot	250	T4	250	130	2000
LP-250N-M	Medium	250		250	130	2000
LP-250N-F	Flood	250		250	130	2000

LNN-()-ML(X)

Underwater or Dry, Niche Mounted



20-75 Watts, 12 Volts



Fixture Body: Machined brass with brass cord compression seal.

Wet Niche: Stainless steel with integral waterstop flange, grounding lug, and 3/4" conduit hub.

Wiring: Furnished with twenty feet of 16-3 Type STOW submersible cord.

Socket: Bi-pin mount.

Lamp: Per chart. Supplied separately, add suffix **-LP** to catalog number to include lamp.

Lens Gasket: High temperature, Viton® O-ring.

Lens: Clear, flat, high temperature tempered glass.

Safety: Units through 50 watt size are Underwriters Laboratories Listed for both underwater and dry operation. 75 watt unit UL Listed for underwater application only.

Optional: For stainless steel rock guard add suffix **-RG** to catalog number.

Optional: Dichroic colored lenses - red, blue, green, amber, and turquoise available. Contact factory for custom colors.

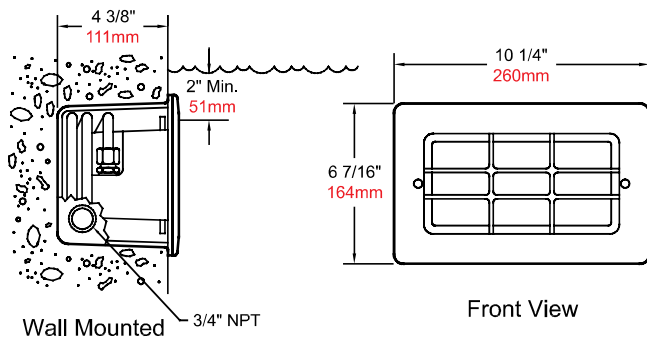
Model Number	UL Max. Wattage Rating	Lamp Type	Watts	Volts	Lamp Life (Hours)
LNN-20-MLX	20	MR16	20	12	4000
LNN-35-MLX	35		35	12	4000
LNN-50-MLX	50		50	12	4000
LNN-75-ML	75		75	12	4000

FR-43N-RG

Underwater Wet Niche



116 Watts, 120 Volts



Fixture Body: Cast bronze with brass cord compression seal.

Rock Guard: Cast bronze, integral to face ring.

Wet Niche: Cast bronze with grounding lug and conduit hub.

Reflector: Stainless steel.

Wiring: Furnished with twenty feet of 16-3 Type STOW submersible cord; entry is totally encapsulated in an epoxy compound.

Socket: Porcelain medium screw base.

Lamp: Per chart. Supplied separately, add suffix **-LP** to catalog number to include lamp.

Lens Gasket: High temperature, single piece, molded neoprene.

Lens: Diffused, flat, high temperature tempered glass.

Safety: Underwriters Laboratories Listed for underwater application. Supplied with an integral thermal cutoff device.

Model Number	UL Max. Wattage Rating	Lamp Type	Watts	Volts	Lamp Life (Hours)
FR-43N-RG	116	A21	116	120	8000

Conduit Mounted Underwater Junction Box

Construction: Cast bronze with stainless steel fasteners.

Grounding: Internal ground screw.

Gasket: Black neoprene rubber.

Riser: Supplied with single 3/4" red brass conduit riser with cast bronze waterstop flange and grounding lug.

Cord Seals: Factory installed, machined brass, compression type, for 16-3 or 10-3 Type STOW cord.

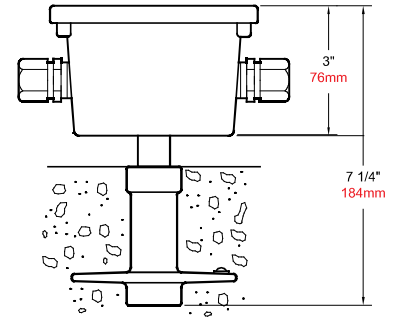
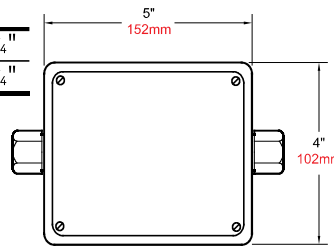
Safety: Underwriters Laboratories Listed for underwater and dry applications.

Optional: For junction box without conduit riser, add suffix **-L** to catalog number.



Model Number	Power		Lighting	
	Qty	Size	Qty	Size
LJP-C-11	1	3/4"	1	1/2" or 3/4"
LJP-C-12	1	3/4"	2	1/2" or 3/4"

* Specify required number of lighting connections.



Conduit Mounted Underwater Junction Box

Construction: Cast bronze with stainless steel fasteners.

Grounding: Internal grounding lug for each fixture.

Gasket: Flat black neoprene rubber.

Riser: Supplied with single or double 3/4" red brass riser(s) with integral waterstop flange and grounding lug.

Cord Seals: Machined brass, compression type for 16-3 or 10-3 type STOW submersible cable, factory installed.

Safety: Underwriters Laboratories Listed for underwater and dry applications.

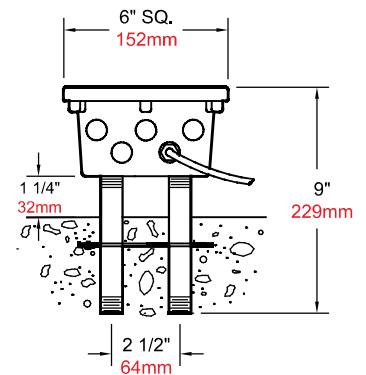
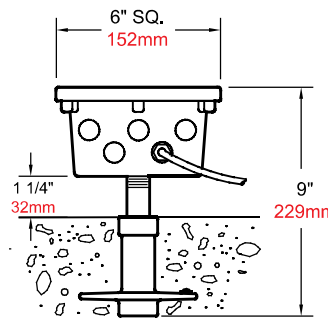
Optional: For junction box without conduit riser, add suffix **-L** to catalog number.

LJP-()-()



Model Number	Power		Lighting	
	Qty	Size	Qty	Size
LJP-1(*)	1	3/8"	1 to 10	1/2" or 3/4"
LJP-2(*)	2	3/8"	1 to 10	1/2" or 3/4"

* Specify required number of lighting connections. (A maximum of eight 3/4" connections for 10-3 cable may be made.)



Conduit Mounted Underwater Junction Box



Construction: Cast bronze with stainless steel fasteners.

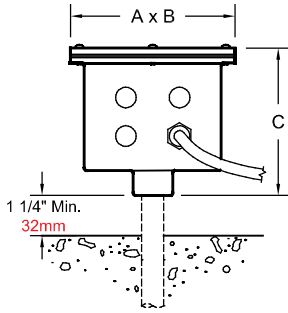
Grounding: Internal grounding lug for each fixture.

Gasket: Black neoprene rubber.

Cord Seals: Factory installed, machined brass, compression type, for 16-3 or 10-3 Type STOW cord.

Safety: Underwriters Laboratories Listed for underwater and dry applications.

Optional: Schedule 40 red brass conduit riser with integral waterstop and grounding lug, add suffix **-WS** to catalog number.



Model Number	Dimensions			Bottom Taps		Side Taps	
	A	B	C	Qty	Size*	Qty	Size
JP-7-(*)-(†)-(+)	4"	4"	3 ⁵ / ₁₆ "	1	1/2", 3/4"	1 to 4	1/2", 3/4"
JP-7-2-(*)-(†)-(+)	4"	4"	3 ⁵ / ₁₆ "	2	3/4"	1 to 4	1/2", 3/4"
JP-8-(*)-(†)-(+)	5 ¹ / ₄ "	5 ¹ / ₄ "	3 ⁵ / ₁₆ "	1	3/4", 1"	1 to 8	1/2", 3/4"
JP-9-(*)-(†)-(+)	5 ¹ / ₄ "	5 ¹ / ₄ "	3 ³ / ₁₆ "	2	3/4", 1"	1 to 8	1/2", 3/4"
JP-10-(*)-(†)-(+)	6 ⁷ / ₁₆ "	6"	5 ³ / ₈ "	1	3/4", 1", 1 ¹ / ₂ "	1 to 16	1/2", 3/4"

* Specify required size of bottom connections.
 † Specify required number of side connections.
 + Specify required size of side connections.

LJN-C

Flush Mounted Underwater Junction Box



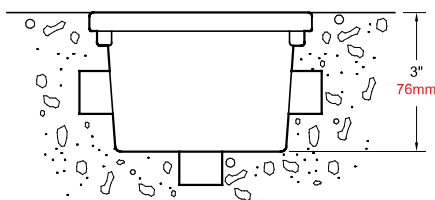
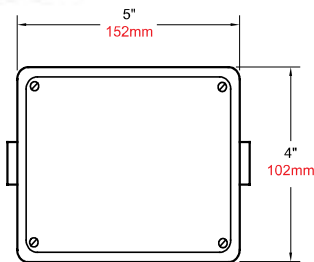
Construction: Cast bronze with stainless steel fasteners.

Grounding: Internal ground screw.

Gasket: Black neoprene rubber.

Strain Relief: Factory installed, machined brass, compression type, for 16-3 or 10-3 Type STOW cord with PVC male adapters.

Safety: Underwriters Laboratories Listed for underwater and dry applications.



Model Number	Power		Lighting	
	Qty	Size	Qty	Size
LJN-C-11B	1	3/4"	1	3/4"
LJN-C-21B	2	3/4"	1	3/4"

Flush Mounted Underwater Junction Box

LJN-()-()

Construction: Cast bronze with stainless steel fasteners.

Grounding: Internal grounding lug for each fixture.

Gasket: Flat black neoprene rubber.

Cord Seals: Machined brass, compression type for 16-3 Type STOW submersible cable, and AWG No. 8 copper bonding wire, factory installed with PVC male adapters.

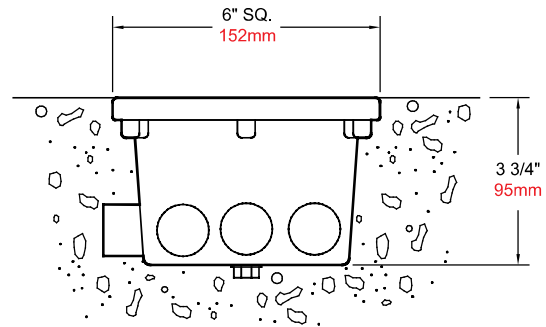
Safety: Underwriters Laboratories Listed for underwater and dry applications.



Model Number	Power		Lighting	
	Qty	Size	Qty	Size
LJN-1(*) (†)	1	3/4"	1 to 4	3/4"
LJN-2(*) (†)	2	3/4"	1 to 4	3/4"

* Specify required number of lighting connections.

† Specify (S) for side connections and (B) for bottom connections.



Deck Mounted Junction Box

JP-55-3/4

Construction: Cast bronze with stainless steel fasteners.

Grounding: Internal grounding lug for each fixture.

Gasket: Black neoprene rubber.

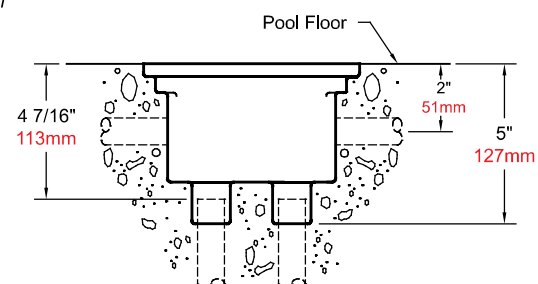
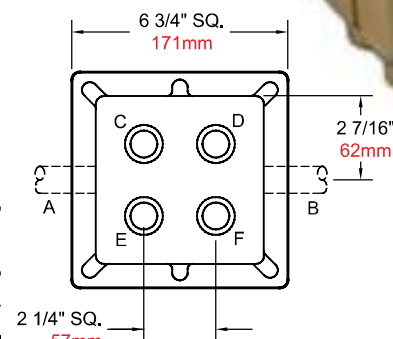
Strain Relief: Factory installed, machined brass, compression type, for 16-3 or 10-3 type STOW cord.

Safety: Underwriters Laboratories Listed for both dry and underwater applications.



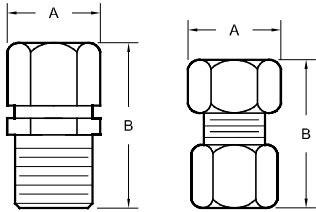
Model Number	A	B	C	D	E	F
JP-55-3	1/2" (3/4")	1/2" (3/4")	1/2"	1/2"	1/2"	1/2"
JP-55-4	3/4" (1")	3/4" (1")	3/4"	3/4"	3/4"	3/4"

Designate location and size for bottom and side conduit penetrations when ordering JP-55-(-3/4) series junction box.



Cord Seals

Construction: Precision machined brass with neoprene packing glands.



Model Number	NPT	Std.	Min. OD	Max. OD	Cord Size			
					A Inches	B Inches	A mm	B mm
J-22	1/2"	16-3	.39"	.43"	1	1 1/2	25	38
J-22-1	1/2"	18-3	.33"	.39"	1	1 1/2	25	38
J-29-2	3/4"	10-3	.63"	.69"	1 1/2	1 3/4	38	44
RCS-075F ¹	3/4" FPT	16-3	.39"	.43"	1 1/2	1 3/4	38	44

1. Grommet designed for one 16-3 Type STOW cord and one AWG No. 8 copper bonding wire.

RLT Series

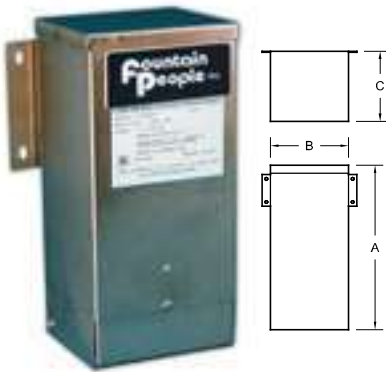
Low Voltage Transformers

Housing: Class A, NEMA 3R for indoor or outdoor mounting.

Primary Voltage: 120VAC

Secondary Voltage: Isolated secondary output is 12VAC with 13 and 14VAC taps to compensate for voltage drop.

Safety: Underwriters Laboratories Listed for swimming pool application.



Model Number	Wattage	A Inches	B Inches	C Inches	A mm	B mm	C mm
RLT-100	100	8 1/2	4 1/2	3 7/8	216	114	98
RLT-300	300	8 1/2	4 3/8	4	216	117	102
RLT-500	500	10	4 3/4	4 1/4	254	121	108
RLT-1000	1000	13	5 7/8	5 3/4	330	149	146

RPC-8882

Junction Box Potting Compound

Description: Designed for use in underwater junction boxes to prevent entry of moisture. 12 oz. package of re-enterable encapsulant.

RPC-8882 meets National Electrical Code, Article 680, requirements as an approved potting compound.

NOTE: Also recommended for junction boxes located outside of the pool that are below the pool water level.



LAMP DATA¹.

Lamp Type	Wattage	Volts	Lamp Life (Hrs)	Light Output ¹
PAR38	90	120	2500	1300
A21	116	120	8000	1330
PAR38	100	120	3000	1400
PAR38	120	120	3000	1450
PAR38	150	120	5000	1650
PAR38	250	130	4000	3600
PAR56	300	12	1000	6000
PAR56	300	120	2000	3840
PAR56	500	120	4000	8000
PAR64	1000	120	4000	19400
T4	100	12	1000	2500
T4	100	130	2000	1400
T4	150	130	2000	2200
T4	250	130	2000	4200
MR16	20	12	4000	1200 cp ²
MR16	35	12	4000	2300 cp ²
MR16	50	12	4000	3600 cp ²
MR16	75	12	4000	4800 cp ²

¹. Lumen output as published by lamp manufacturer.

². cp = Maximum Candlepower based on 24 degree beam angle.





Fittings

Anti-Vortex/Diverter Plates and Sumps

FAS-08	: 72
R-80C	: 72
FAD Series	: 72
FAP Series	: 72
FRS Series	: 73
R-83 Series	: 74-75
R-84 Series	: 75-76

Filtration Fittings

FEC-200A	: 76
R-85B	: 76
FES-200	: 77
R-86B	: 77
FEV-200	: 77
R-30B	: 77
FSK-400	: 78
FSK-150J	: 78

Overflow and Drain Fittings

FEW-200	: 78
R-16CPB	: 78
FFD-Series	: 79
FFD-200S	: 79
R-18B	: 79
R-19	: 79
FSD Series	: 80
R Series	: 80
FWD Series	: 80
FDR Series	: 81

Waterstops

FWS Series	: 82-83
------------	---------

Miscellaneous Fittings

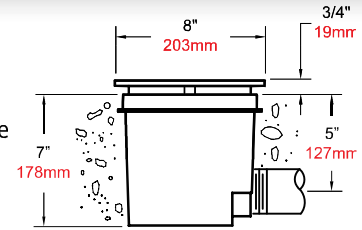
R-50/51 Float Valves	: 81
FWF Series Float Valves	: 82
FWB Series Wave Baffles	: 82

FAS-08



Anti-Vortex/Diverter Plate and Sump

- Cast bronze plate with natural finish.
- Molded ABS sump with 2" FPT threaded bottom and side connections, supplied with threaded ABS plug.
- Stainless steel fasteners.
- Maximum flow rates are based on 16"/41cm water depth.



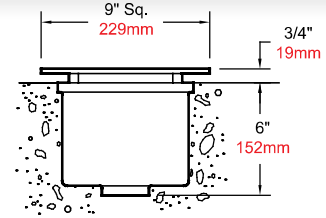
Model Number	NPT	Suction GPM	Discharge GPM	Suction LPM	Discharge LPM
FAS-08	2"	60	80	227	303

R-80C



Anti-Vortex/Diverter Plate and Sump

- Cast bronze plate with natural finish.
- Heavy-duty spun copper sump with ground screw and bronze 2" FPT threaded bottom connection.
- Stainless steel fasteners.
- Maximum flow rates are based on 16"/41cm water depth.



Model Number	NPT	Suction GPM	Discharge GPM	Suction LPM	Discharge LPM
R-80C	2"	60	80	227	303

FAD-()



Adjustable Diverter Fitting

- Cast bronze body with integral waterstop flange and ground screw.
- Adjustable brass threaded top plate flow control assembly.
- Available with British Standard Pipe Threads, add -BSP to catalog number.
- Maximum flow rates are based on 16"/41cm water depth.



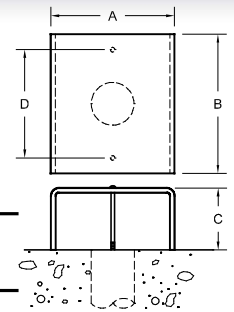
Model Number	NPT	Dimensions				Maximum Flow Rate	
		Inches		Millimeters		GPM	LPM
		A	B	A	B		
FAD-150	1 1/2"	3	5	76	127	30	114
FAD-200	2"	4	5	102	127	60	227
FAD-300	3"	6	7	152	178	120	454
FAD-400	4"	8	7	203	178	160	606

FAP-()



Diverter Plate

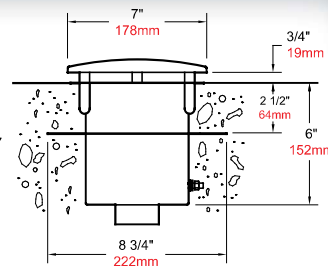
- Solid brass construction.
- Maximum flow rates are based on 16"/41cm water depth.



Model Number	Dimensions								Max. Pipe Size	Maximum Flow Rate	
	Inches				Millimeters					GPM	LPM
	A	B	C	D	A	B	C	D			
FAP-362U	3	6	2	4	76	152	51	102	1 1/2"	50	189
FAP-662U	6	6	2	4	152	152	51	102	2"	80	303
FAP-882U	8	8	2	6	203	203	51	152	3"	180	681
FAP-884U	8	8	4	6	203	203	102	152	3"	180	681
FAP-894U	8	9	4	7	203	229	102	178	4"	300	1,136
FAP-994U	9	9	4	7	229	229	102	178	4"	300	1,136

Anti-Vortex Plate and Sump

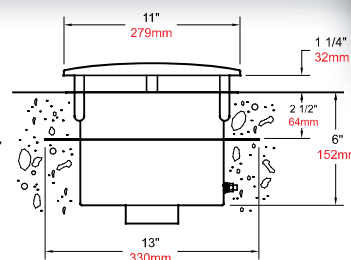
- Cast bronze plate with natural finish.
- Deep drawn stainless steel sump with integral waterstop, ground screw, and 1½" FPT threaded bottom connection.
- Stainless steel fasteners.
- To delete waterstop, add suffix **-L** to catalog number.
- Maximum flow rates are based on 16"/41cm water depth.



Model Number	NPT	Suction GPM	Discharge GPM	Suction LPM	Discharge LPM
FRS-07	1½"	40	50	151	189

Anti-Vortex Plate and Sump

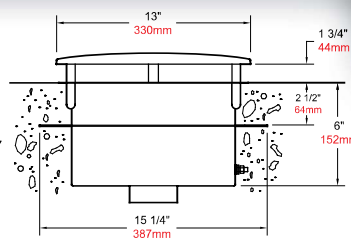
- Cast bronze plate with natural finish.
- Deep drawn stainless steel sump with integral waterstop, ground screw, and 3" FPT threaded bottom connection.
- Stainless steel fasteners.
- To delete waterstop, add suffix **-L** to catalog number.
- Maximum flow rates are based on 16"/41cm water depth.



Model Number	NPT	Suction GPM	Discharge GPM	Suction LPM	Discharge LPM
FRS-11	3"	120	180	454	681

Anti-Vortex Plate and Sump

- Cast bronze plate with natural finish.
- Deep drawn stainless steel sump with integral waterstop, ground screw, and 4" FPT threaded bottom connection.
- Stainless steel fasteners.
- To delete waterstop, add suffix **-L** to catalog number.
- Maximum flow rates are based on 16"/41cm water depth.



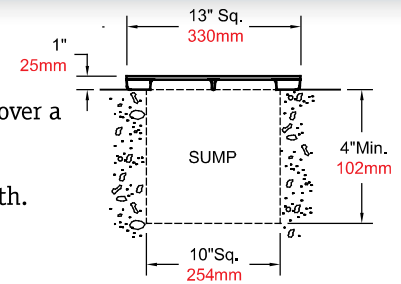
Model Number	NPT	Suction GPM	Discharge GPM	Suction LPM	Discharge LPM
FRS-13	4"	220	300	833	1,136

R-83P



Anti-Vortex/Diverter Plate

- Cast bronze plate with natural finish.
- Furnished with integral anchor clamps to secure plate over a square formed sump.
- Maximum flow rates are based on 16"/41cm water depth.



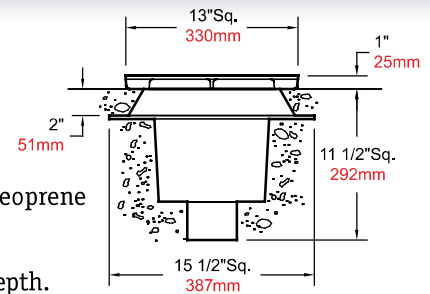
Model Number	Suction GPM	Discharge GPM	Suction LPM	Discharge LPM
R-83P	200	500	757	1,893

R-83-()



Anti-Vortex/Diverter Plate and Sump

- Cast bronze plate with natural finish.
- Heavy-duty FRP sump with integral waterstop.
- Standard inlet is PVC pipe.
- Add suffix **-FL** for flanged connection including neoprene flange gasket and stainless steel fasteners.
- Maximum flow rates are based on 16"/41cm water depth.
- A 4" shallow sump is available. Add suffix **-S** to catalog number. Contact design@fountainpeople.com for flow data for your application.



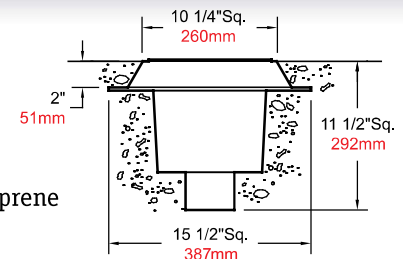
Model Number	Inlet (PVC Pipe)	Suction GPM	Discharge GPM	Suction LPM	Discharge LPM
R-83-3	3"	120	180	454	681
R-83-4	4"	200	300	757	1,136

R-83-()G



Suction Sump with Grate

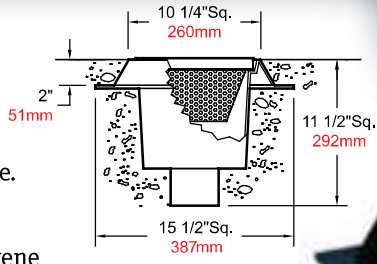
- Heavy-duty FRP sump with integral waterstop.
- Heavy-duty FRP grate with safety clip and latch.
- Standard inlet is PVC pipe.
- Add suffix **-FL** for flanged connection including neoprene flange gasket and stainless steel fasteners.
- Maximum flow rates are based on 16"/41cm water depth.



Model Number	Inlet (PVC Pipe)	Suction GPM	Suction LPM
R-83-3G	3"	50	189
R-83-4G	4"	80	303

Basin Suction Strainer

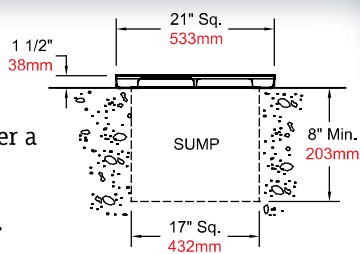
- Heavy-duty FRP sump with integral waterstop.
- Heavy-duty FRP grate with safety clip and latch.
- Stainless steel removable strainer basket with integral handle.
- Standard inlet is PVC pipe.
- Add suffix **-FL** for flanged connection including neoprene flange gasket and stainless steel fasteners.
- Maximum flow rates are based on 16"/41cm water depth.



Model Number	Inlet (PVC Pipe)	Suction GPM	Suction LPM
R-83-3GD	3"	50	189
R-83-4GD	4"	80	303

Anti-Vortex/Diverter Plate

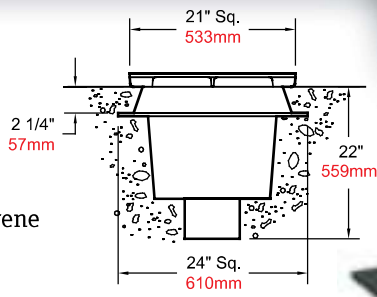
- Cast bronze plate with natural finish.
- Furnished with integral anchor clamps to secure plate over a square formed sump.
- Maximum flow rates are based on 16"/41cm water depth.



Model Number	Suction GPM	Discharge GPM	Suction LPM	Discharge LPM
R-84P	300	600	1,136	2,271

Anti-Vortex/Diverter Plate and Sump

- Cast bronze plate with natural finish.
- Heavy-duty FRP sump with integral waterstop.
- Standard inlet is PVC pipe.
- Add suffix **-FL** for flanged connection including neoprene flange gasket and stainless steel fasteners.
- Maximum flow rates are based on 16"/41cm water depth.
- A 6" shallow sump is available. Add suffix **-S** to catalog number. Contact design@fountainpeople.com for flow data for your application.



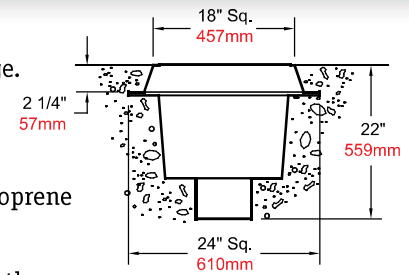
Model Number	Inlet (PVC Pipe)	Suction GPM	Discharge GPM	Suction LPM	Discharge LPM
R-84-6	6"	300	400	1,136	1,514
R-84-8	8"	400	600	1,514	2,271

R-84()G



Suction Sump with Grate

- Heavy-duty FRP sump with integral waterstop flange.
- Heavy-duty FRP grate with safety clip and latch.
- Standard inlet is PVC pipe.
- Add suffix **-FL** for flanged connection including neoprene flange gasket and stainless steel fasteners.
- Maximum flow rates are based on 16"/41cm water depth.



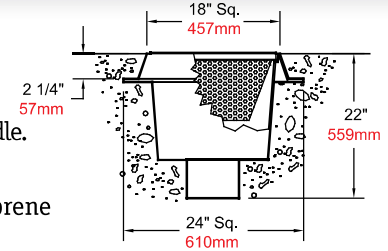
Model Number	Inlet (PVC Pipe)	Suction GPM	Suction LPM
R-84-6G	6"	180	681
R-84-8G	8"	320	1,211

R-84()GD



Basin Suction Strainer

- Heavy-duty FRP sump with integral waterstop.
- Heavy-duty FRP grate with safety clip and latch.
- Stainless steel removable strainer basket with integral handle.
- Standard inlet is PVC pipe.
- Add suffix **-FL** for flanged connection including neoprene flange gasket and stainless steel fasteners.
- Maximum flow rates are based on 16"/41cm water depth.



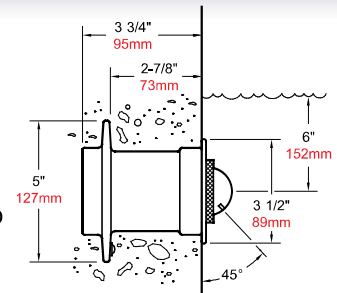
Model Number	Inlet (PVC Pipe)	Suction GPM	Suction LPM
R-84-6GD	6"	180	681
R-84-8GD	8"	320	1,211

FEC-200A



Sweep Eyeball Inlet Fitting

- Designed to sweep pool floor of debris.
- Cast bronze with natural finish.
- Integral waterstop with ground screw.
- Available with British Standard Pipe Threads, add **-BSP** to catalog number.



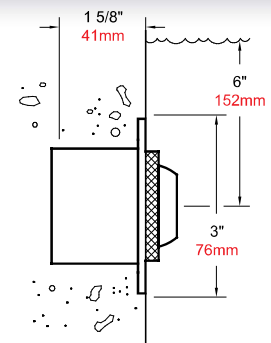
Model Number	NPT	Minimum Flow Rate		Maximum Flow Rate	
		GPM	LPM	GPM	LPM
FEC-200A	2"	5	19	15	57

R-85B



Adjustable Eyeball Inlet Fitting

- Designed to direct debris to skimmers and to improve water circulation.
- Cast bronze with natural finish.
- Ground screw.

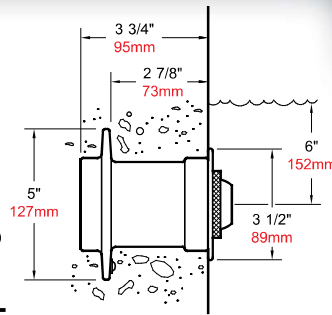


Model Number	NPT	Minimum Flow Rate		Maximum Flow Rate	
		GPM	LPM	GPM	LPM
R-85B	1 1/2"	10	38	30	114

Adjustable Eyeball Inlet Fitting

- Designed to direct debris to skimmers and to improve water circulation.
- Cast bronze with natural finish.
- Integral waterstop with ground screw.
- Available with British Standard Pipe Threads, add **-BSP** to catalog number.

Model Number	NPT	Minimum Flow Rate		Maximum Flow Rate	
		GPM	LPM	GPM	LPM
FES-200	2"	10	38	30	114



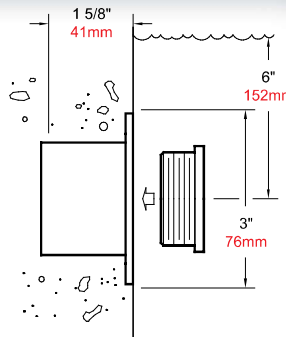
FES-200



Vacuum Fitting

- Designed for use with standard 1 1/2" vacuum hose.
- Cast bronze with natural finish.
- Removable bronze plug.
- Ground screw.

Model Number	NPT	Maximum Flow Rate	
		GPM	LPM
R-86B	1 1/2"	40	151



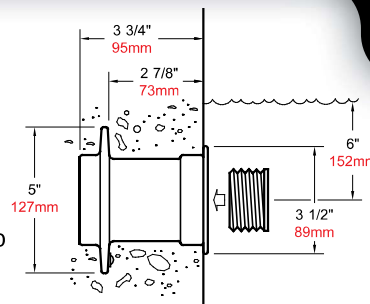
R-86B



Vacuum Fitting

- Designed for use with standard 1 1/2" vacuum hose.
- Cast bronze with natural finish.
- Removable bronze plug.
- Integral waterstop with ground screw.
- Available with British Standard Pipe Threads, add **-BSP** to catalog number.

Model Number	NPT	Maximum Flow Rate	
		GPM	LPM
FEV-200	2"	50	189



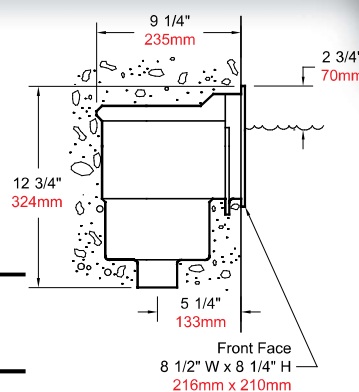
FEV-200



Front Access Skimmer

- Heavy-duty Cyclolac® construction.
- Floating weir, removable trash basket, and throttling plate.
- Cast bronze face plate with natural finish.

Model Number	Sip Fit	Minimum Flow Rate		Maximum Flow Rate	
		GPM	LPM	GPM	LPM
R-30B	1 1/2"	10	38	30	114



R-30B

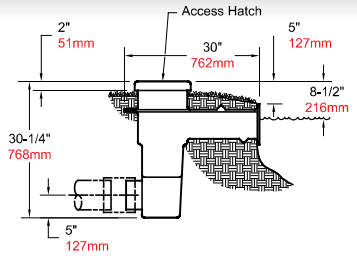


FSK-400



Top Access Lake Skimmer

- Designed for lake installations.
- Heavy-duty FRP construction with black gel coat finish.
- Full size top cover with floating weir and high capacity stainless steel trash basket.



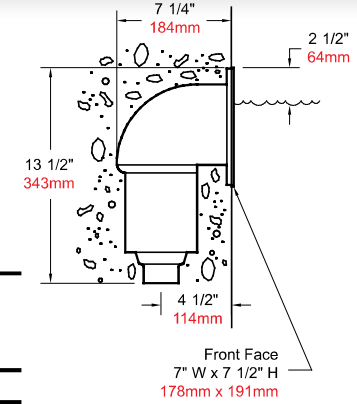
Model Number	Pipe Connection	Minimum Flow Rate		Maximum Flow Rate	
		GPM	LPM	GPM	LPM
FSK-400	4" PVC	50	189	200	757

FSK-150J



Front Access Skimmer

- Designed for pools with thinner walls.
- Heavy-duty ABS construction.
- Floating weir with removable trash basket.
- Cast bronze face plate with natural finish.



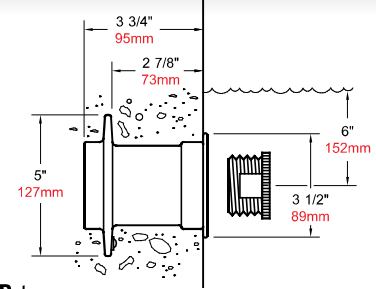
Model Number	NPT	Minimum Flow Rate		Maximum Flow Rate	
		GPM	LPM	GPM	LPM
FSK-150J	1 1/2"	10	38	30	114

FEW-200



Drain-Down Fitting with Plug

- Designed to allow easy drainage of basins that are difficult to access.
- Cast bronze body with natural finish.
- Integral waterstop flange with ground screw.
- Removable plug with neoprene gasket.
- Available with British Standard Pipe Threads, add **-BSP** to catalog number.

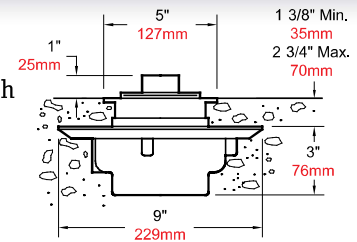


R-16CPB



Floor Drain with Plug

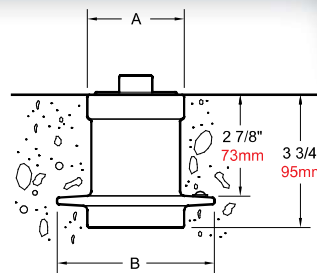
- Cast bronze adjustable drain top and removable plug with natural finish.
- Cast iron hub with membrane clamping ring.
- 3" FPT threaded connection.



Floor Drain with Plug

- Cast bronze body with natural finish.
- Integral waterstop flange with grounding screw.
- Removable threaded bronze plug.
- Available with British Standard Pipe Threads, add **-BSP** to catalog number.

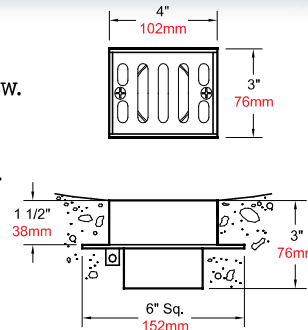
Model Number	NPT	Dimensions			
		Inches		Millimeters	
		A	B	A	B
FFD-200	2"	3	5	76	127
FFD-300	3"	5 1/4	7	133	178
FFD-400	4"	5 1/4	7	133	178



FFD-()

Floor Drain with Strainer

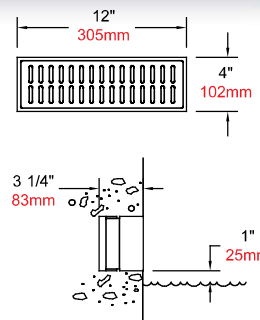
- Brass body with integral waterstop flange with ground screw.
- Brass strainer with natural finish.
- Recommended for use with FEW-200 Drain-Down Fitting.
- 2" FPT threaded connection.



FFD-200S

Wall Mounted Overflow Fitting

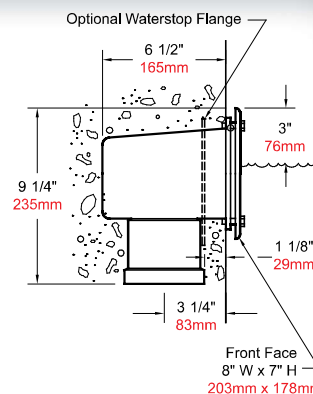
- Brass with natural finish.
- Ground screw.
- Large full-face removable strainer.
- 3" NPT threaded connection.



R-18B

Adjustable Wall Mounted Overflow Fitting

- Cast bronze with natural finish.
- Cast bronze face plate.
- Adjustable internal copper overflow standpipe.
- Ground screw.
- For waterstop flange, add suffix **-WS** to catalog number.
- 3" NPT threaded connection.



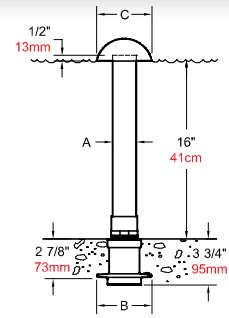
R-19

FSD-()



Overflow Standpipe Drain

- Cast bronze body with integral waterstop flange and ground screw.
- Cast bronze cap and copper standpipe in natural finish.
- Threaded connection.
- Available with British Standard Pipe Threads, add **-BSP** to catalog number.



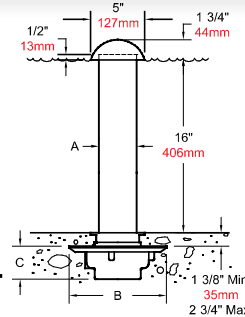
Model Number	NPT	Dimensions					
		Inches			Millimeters		
		A	B	C	A	B	C
FSD-150	1 1/2"	1 5/8	5	2 3/4	41	127	70
FSD-200	2"	2 1/8	7	5	54	127	127
FSD-300	3"	3 1/8	7	5	79	178	127

R-()B



Overflow Standpipe Drain

- Cast bronze adjustable drain hub with removable copper standpipe and cast bronze top cap.
- Cast iron hub with membrane clamping ring.
- Single locking screw for easy removal.
- Threaded connection.



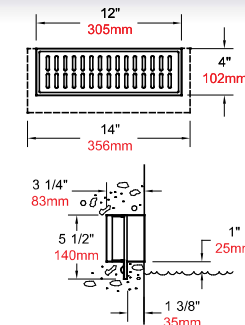
Model Number	NPT	Dimensions					
		Inches			Millimeters		
		A	B	C	A	B	C
R-15B	2"	2 1/8	9	3	54	229	76
R-16B	3"	3 1/8	9	3	79	229	76

FWD-300B



Wall Mounted Overflow Fitting

- All brass with natural finish.
- Large full-face removable strainer.
- Integral waterstop flange with ground screw.
- 3" FPT connection.

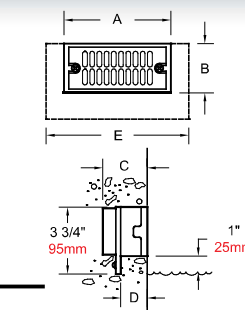


FWD-()B



Wall Mounted Overflow Fitting

- All brass with natural finish.
- Large full-face removable strainer.
- Integral waterstop flange with ground screw.
- 2" FPT connection.

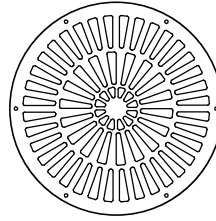


Model Number	Dimensions									
	Inches					Millimeters				
	A	B	C	D	E	A	B	C	D	E
FWD-200B	6	2 3/4	2 5/8	1 1/2	8	152	70	67	38	203
FWD-200SB	9 1/4	1 1/2	3 1/8	2	11 1/4	235	38	79	51	292

FDR-400-BR

Brass Area Drain

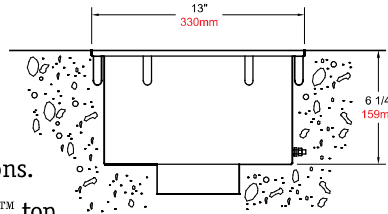
- Designed to enhance Fountain in a Can™ installations.
- Precision machined brass grate finished to match Fountain in a Can™ top.
- Grate is ADA compliant.
- Deep Drawn stainless steel sump with ground screw and stainless steel fasteners.
- 4" FPT connection (specify side or bottom).



FDR-400-SS

Stainless Steel Area Drain

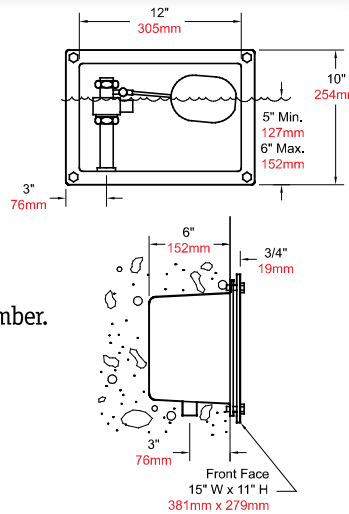
- Designed to enhance Fountain in a Can™ installations.
- Stainless steel grate finished to match Fountain in a Can™ top.
- Grate is ADA compliant.
- Deep Drawn stainless steel sump with ground screw and stainless steel fasteners.
- 4" FPT connection (specify side or bottom).



R-50

Mechanical Float Valve with Niche

- Brass valve with a plastic float.
- 3/4" threaded connection.
- Valve allows for minor adjustment in water level.
- Niche and face plate are white acrylic.
- For optional brass face plate, add suffix **-B** to catalog number.
- Maximum flow rate is 15 GPM; 57 LPM.



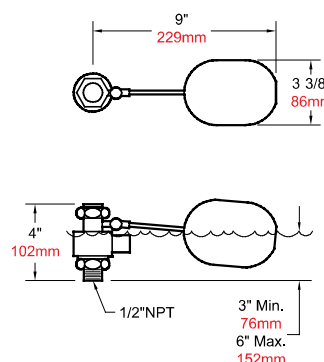
R-50/R-51



R-51

Mechanical Float Valve

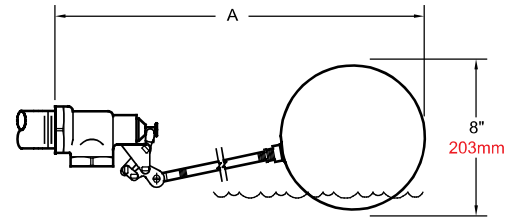
- Brass valve with a plastic float.
- 1/2" threaded connection.
- Valve allows for minor adjustment in water level.
- Maximum flow rate is 15 GPM; 57 LPM.



FWF Series

Mechanical Float Valve

- Brass valve with copper float.



Model Number	NPT	Dimensions		Maximum Flow Rate	
		Inches	Centimeters	GPM	LPM
		A	A		
FWF-100	1"	20"	51cm	50	189
FWF-150	1½"	24"	61cm	90	341
FWF-200	2"	28"	71cm	130	492

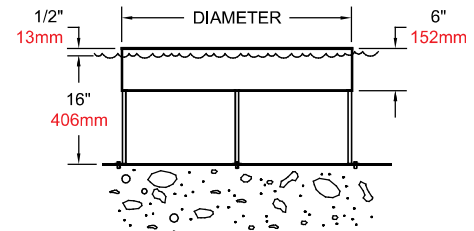
FWB-()

Wave Baffles

- Designed to suppress wave action created by water level dependent nozzles.
- Brass baffle strip with (4) adjustable brass legs.



- FWB-12 - 12" Diameter Wave Baffle
- FWB-24 - 24" Diameter Wave Baffle
- FWB-36 - 36" Diameter Wave Baffle
- FWB-48 - 48" Diameter Wave Baffle



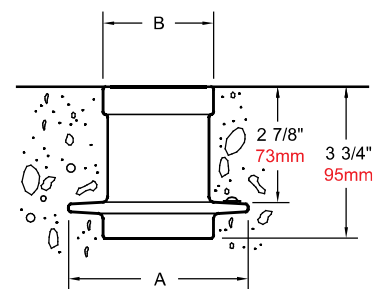
FWS-()

Waterstop Fitting

- Cast bronze with ground screw.
- Available with British Standard Pipe Threads, add **-BSP** to catalog number.



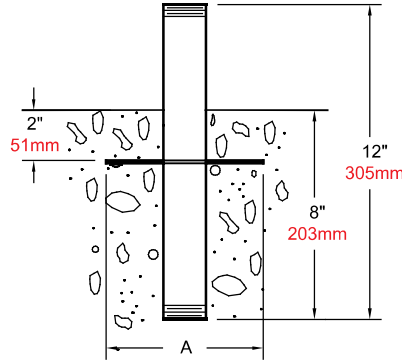
Model Number	NPT	Inches		Millimeters	
		A	B	A	B
FWS-050	½"	3½"	1¾"	89	44
FWS-075	¾"	3½"	1¾"	89	44
FWS-100	1"	5	1¾"	127	44
FWS-125	1¼"	5	3	127	76
FWS-150	1½"	5	3	127	76
FWS-200	2"	5	3	127	76
FWS-300	3"	7	5¼"	178	133
FWS-400	4"	7	5¼"	178	133



Waterstop Pipe Riser

- Red brass pipe.
- Cast bronze waterstop flange with ground screw.
- Available with British Standard Pipe Threads, add **-BSP** to catalog number.

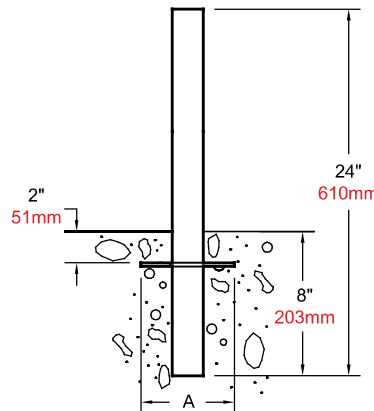
Model Number	NPT	Inches A	Millimeters A
FWS-050R	1/2"	4	102
FWS-075R	3/4"	4	102
FWS-100R	1"	4	102
FWS-125R	1 1/4"	4	102
FWS-150R	1 1/2"	6	152
FWS-200R	2"	6	152
FWS-300R	3"	8	203
FWS-400R	4"	8	203



Waterstop Tube Riser

- Type L rigid copper tube.
- Cast bronze waterstop flange with ground screw.

Model Number	NPT	Inches A	Millimeters A
FWS-050CR	1/2"	4	102
FWS-075CR	3/4"	4	102
FWS-100CR	1"	4	102
FWS-125CR	1 1/4"	4	102
FWS-150CR	1 1/2"	6	152
FWS-200CR	2"	6	152
FWS-300CR	3"	8	203
FWS-400CR	4"	8	203



FWS-()R

FWS-()CR



Controls

CPL-3000T : 86

CWW-002 : 87

CWS-075 : 87

CPL-WF : 88

CPL-WFC : 88

CWL-002C : 89

CWL-002W : 89

CWL-002WD : 89

RW-56-1 : 90

LJN-1C : 90

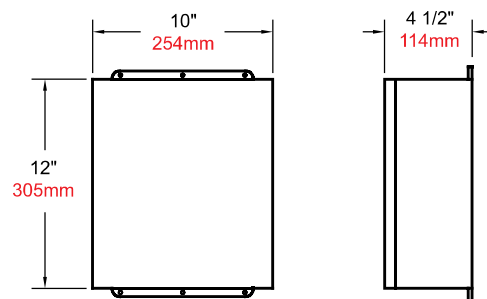
RVS-() : 90

Wiring Schematics : 91

Fountain Control Panel

The CPL-3000T Fountain Control Panel is both versatile and cost-effective. It is designed to control a wide range of fountain systems from small to large.

- PLC based and pre-programmed.
- Mounted in a NEMA-12 enclosure.
- LCD 4 x 12 digital operator display.
- Operates on 100-240 volt, 50 or 60 hertz power.
- Single and 2-stage wind control. (Order CWS-075 Wind Speed Sensor separately. See pg. 87.)
- Dual level water level control and low water cut-off. (Order CWL-302P probe and sensor housing separately.)
- Two integral time clocks.
- Two 17 amp contactors for control of pumps and lighting circuits.
- Four sequenced 2 amp outputs.
- Underwriters Laboratories Listed for safety.

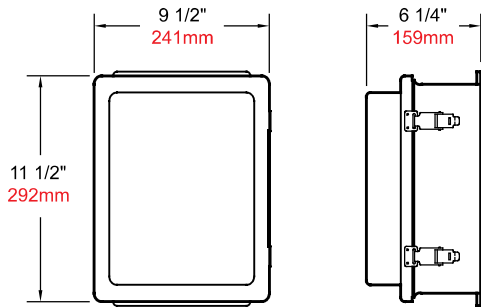


Multi-Function Electronic Wind and Water Level Control System

CWW-002

The CWW-002 is a cost-effective controller that provides both multiple stage wind and water level control capability.

- PLC based and pre-programmed.
- Mounted in NEMA-4X enclosure.
- 4 x 12 digital operator display.
- Operates on 100-240 volt, 50 or 60 hertz power.
- Single and 2-stage wind control.
- Supplied with CWS-075 wind speed sensor.
- Dual level water level control and low water cut-off. (Order CWL-302P probe and sensor housing separately.)
- Underwriters Laboratories Listed for safety.



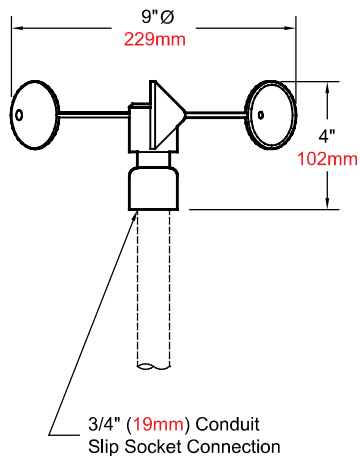
Wind Speed Sensor

CWS-075

The CWS-075 is designed for use with both the CPL-3000T Fountain Control Panel and the multi-function CWW-002 Control System.

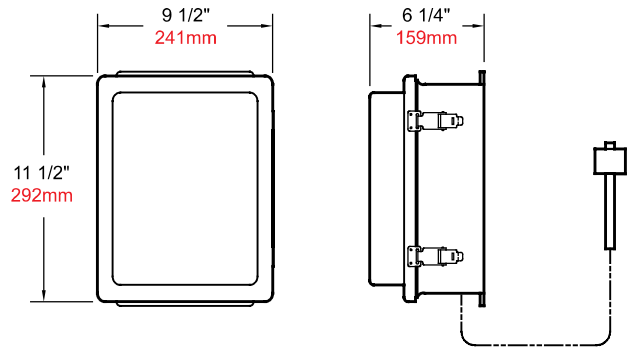
- Rotating cup type anemometer.
- Aluminum construction with stainless steel bearings and an integral 30 foot cable.
- Rated for 100 MPH wind speed with a 1 MPH starting threshold.
- Adapts to 3/4" PVC conduit.

Note: Anemometer should be mounted in an area which experiences the same wind conditions as the water feature.



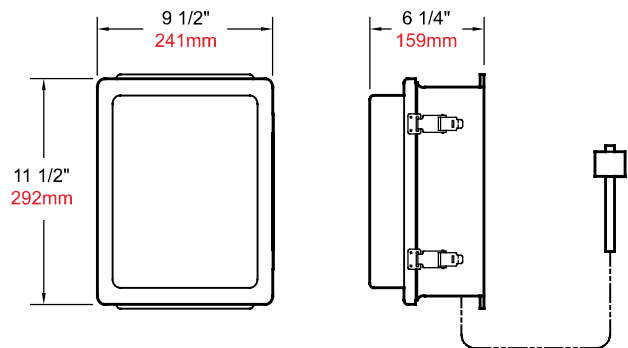
Single Function Water Level Control

- Single function operation – water fill or low water cut-off.
- Housed in a NEMA-4X enclosure.
- Operates on 100-240 volt, 50 or 60 hertz power.
- Provides safe 10 volt signal to sensor probe.
- Supplied with sensor and 30 feet of integral cable (select appropriate probe housing from pg. 89).
- Pre-wired and tested.
- Requires a 120 VAC Class A GFCI protected power supply in the USA.
- Underwriters Laboratories Listed for safety.



Dual Function Water Level Control

- Dual function operation – water fill and low water cut-off.
- Housed in a NEMA-4X enclosure.
- Operates on 100-240 volt, 50 or 60 hertz power.
- On-Off-Auto switch allows easy over-ride for pool maintenance.
- Water fill and low water cut-off pilot lights furnished to indicate system status.
- Provides safe 10 volt signal to sensor probe.
- Supplied with dual function sensor and 30 feet of integral cable (select appropriate probe housing from pg. 89).
- Pre-wired and tested.
- Requires a 120 VAC Class A GFCI protected power supply in the USA.
- Underwriters Laboratories Listed for safety.

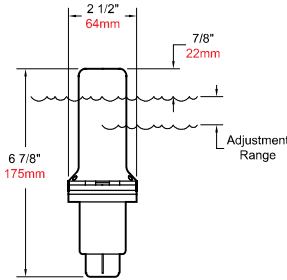


Conduit Mounted Sensor Housing

CWL-002C

The CWL-002C provides a low profile for in pool mounting of sensor probes.

- Spun brass cover with natural finish.
- Cast bronze base with $\frac{1}{2}$ " threaded conduit connection.
- Sensor adjustment range is $\frac{1}{4}$ " for dual and $1\frac{1}{4}$ " for single function probes.

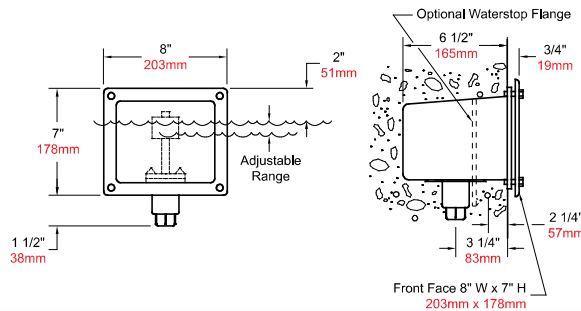


Wall Mounted Sensor Housing

CWL-002W

The CWL-002W offers an unobtrusive wall mounted configuration.

- Cast bronze housing with $\frac{1}{2}$ " threaded conduit connection.
- Cast bronze face plate with natural finish.
- Sensor adjustment range is $\frac{1}{2}$ " for dual and $1\frac{1}{2}$ " for single function probes.
- For optional integral waterstop flange, add suffix **-WS** to catalog number.

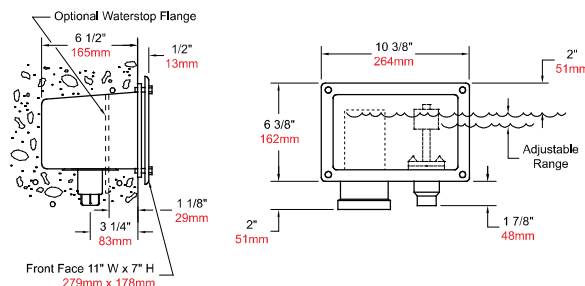


Wall Mounted Overflow and Sensor Housing

CWL-002WD

The flush wall mounted CWL-002WD combines a sensor mounting housing with an adjustable overflow drain fitting.

- Cast bronze housing with $\frac{1}{2}$ " threaded conduit connection and 3" FPT drain outlet.
- Cast bronze face plate.
- Adjustable internal overflow standpipe
- Sensor adjustment range is $\frac{1}{2}$ " for dual and $1\frac{1}{2}$ " for single function probes.
- For optional integral waterstop flange, add suffix **-WS** to catalog number.

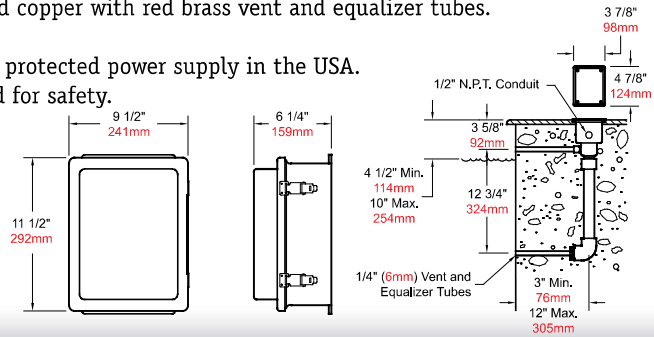


RW-56-1

Single Function Water Level Control

The RW-56-1 is designed to use a resistive type probe with no moving parts.

- Single function operation – water fill or low water cut-off.
- Housed in a NEMA-4X enclosure.
- Operates on 100-240 volt, 50 or 60 hertz power.
- Provides a safe 10 volt signal to sensor probe.
- Sensor is replaceable and may be trimmed to set water level.
- Supplied with 100 feet of sensor wire.
- Probe housing is cast bronze and copper with red brass vent and equalizer tubes.
- Pre-wired and tested.
- Requires a 120 VAC Class A GFCI protected power supply in the USA.
- Underwriters Laboratories Listed for safety.



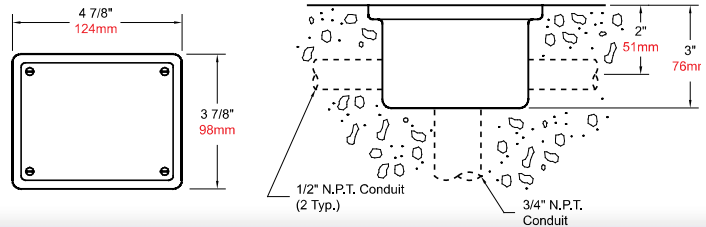
LJN-1C

Flush Mounted Underwater Junction Box

The LJN-1C junction box may be used where probe or sensor runs exceed the standard 30 foot cord length.

- Cast bronze construction with stainless steel fasteners.
- Black neoprene lid gasket.
- Underwriters Laboratories Listed for underwater and dry location.

Note: It is recommended that a potted junction box be installed in the conduit run connecting water level sensors to control panels. This will prevent moisture migration from the pool to the control panel.

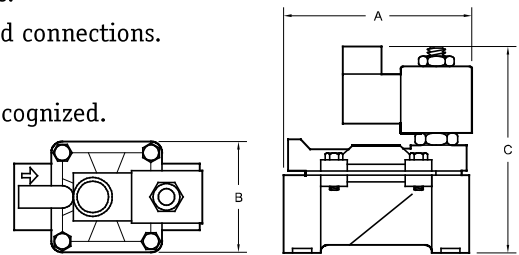


RVS-()

Solenoid Fill Valve

The RVS Series solenoid fill valve is simple and easy to clean and maintain.

- For use with electronic water fill systems.
- Die cast brass construction with threaded connections.
- 120 volt solenoid is standard.
- Solenoid is Underwriters Laboratories Recognized.



Model Number	NPT	Dimensions						Maximum Flow Rate	
		Inches			Millimeters			GPM	LPM
		A	B	C	A	B	C		
RVS-075G	3/4"	3 1/2	3	4 1/2	89	76	114	12	45
RVS-100G	1"	4	3	5	102	76	127	25	95
RVS-150G	1 1/2"	5	3 1/2	5 3/4	127	89	146	80	303
RVS-200G	2"	6	5	6	152	127	152	150	568



Modular

Vault-Pak™ (Sand) : 94

Vault-Pak™ (Cartridge) : 95

Skid-Pak™ : 96

AF Vault : 97

AC Vault : 98

D Vault : 99

B Vault : 100

E Vault : 101

C Vault : 102

G Vault : 103

F Vault : 104

H Vault : 104

WTA-A20 : 105

WTC-C50 : 105

Custom Skids : 106

Reservoirs : 106

Waterbox™ : 107

Sand Filtration

The AF Series Vault-Pak™ is a cost-effective pre-engineered equipment vault, with an integral sand filter, that is designed for small to medium water features. Efficient layout and top access make it easy to maintain and service.



Standard Features:

- Heavy-duty FRP enclosure with 2" floor drain.
- Structurally engineered and certified for in-ground installation.
- 18" sand filter with multi-port valve for fountains up to 7,500 gallons (sand not included).
- Thermally protected pump.
- All necessary isolation and check valves.
- Pressure gauge.
- Power distribution panel and time clock.
- 110 CFM forced air ventilation fan.
- Lockable lid with lock-open arm, stainless steel lock hasp, and stainless steel hinge.
- Wall mounted maintenance procedures for all equipment.
- Stainless steel anchors and tie-down cables.

Optional Features:

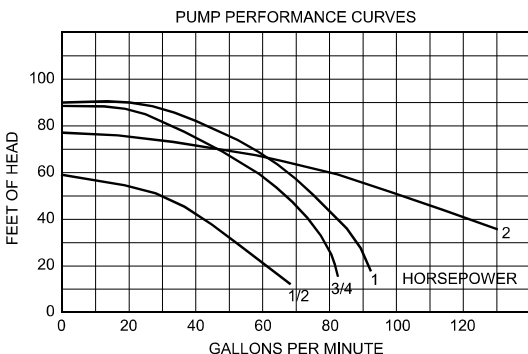
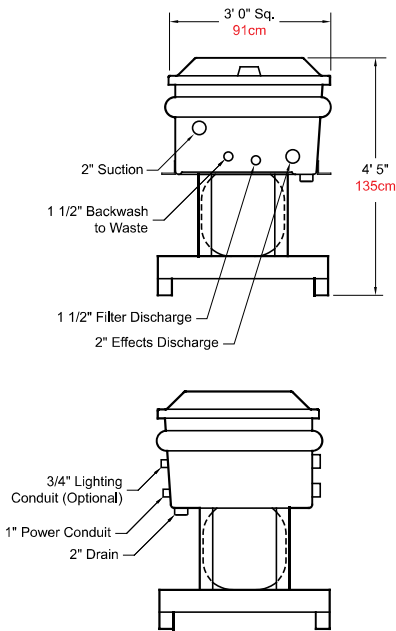
- To add one 120 volt GFCI protected lighting circuit (rated at 1,800 watts) with one time clock, add suffix **-L1** to catalog number.
- To add two 120 volt GFCI protected lighting circuits (rated at 1,800 watts each) with one time clock, add suffix **-L2** to catalog number.

*Note: Add 20 amps for each lighting circuit added to **Required Amperage** listed in chart, below.*

To Select the Appropriate Vault-Pak™:

1. Determine the total flow requirement by combining the total flow rate (GPM) required by all nozzles, then add 20 GPM for the filter, plus a 10% safety factor.
2. Determine the total pump pressure requirement by taking the single highest nozzle head pressure requirement and adding a system friction loss allowance. An allowance of 25 feet of head pressure is adequate for simple piping systems with piping runs no longer than 75 feet. If the fountain system contains pools of different elevations, long piping runs, or more than a few nozzles, it is recommended that the pump pressure requirement be fully calculated.
3. Locate the point on the performance chart where the total flow determined in **Step 1** and the total head pressure requirement determined in **Step 2**, intersect. Any pump performance curve that passes above this point can be used. If this point is on or very near a curve, it is recommended that the next higher curve be used.

Installation Information: For additional information on selection and installation of equipment, see the Technical & Safety section, Page 109.



Model Number	Pump HP	Max. GPM @ 50' Hd.	Max. LPM ¹ @ 1.5 Bar	Required Amperage	
				115VAC/60Hz	230VAC/60Hz
PFV-AF050	1/2	30	113	10	5
PFV-AF075	3/4	65	246	14	7
PFV-AF100	1	75	283	16	8
PFV-AF200	2	100	378	N/A	12

¹Data are for 60 Hertz pumps.

Cartridge Filtration

An AC Series Vault-Pak™ incorporates cartridge filtration into a cost-effective pre-engineered equipment vault for small to medium water features. Efficient layout and top access make it easy to maintain and service.

Standard Features:

- Heavy-duty FRP enclosure with 2" floor drain.
- Structurally engineered and certified for in-ground installation.
- 50 square foot cartridge filter with spare element for fountains up to 7,500 gallons.
- Thermally protected pump.
- All necessary isolation and check valves.
- Pressure gauge.
- Power distribution panel and time clock.
- 110 CFM forced air ventilation fan.
- Lockable lid with lock-open arm, stainless steel lock hasp, and stainless steel hinge.
- Wall mounted maintenance procedures for all equipment.

Optional Features:

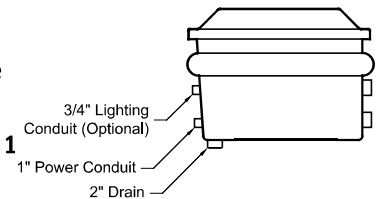
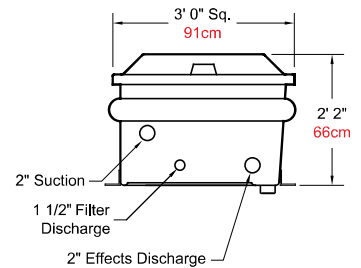
- To add one 120 volt GFCI protected lighting circuit (rated at 1,800 watts) with one time clock, add suffix **-L1** to catalog number.
- To add two 120 volt GFCI protected lighting circuits (rated at 1,800 watts each) with one time clock, add suffix **-L2** to catalog number.

Note: Add 20 Amps for each lighting circuit added to **Required Amperage** listed in chart, below.

To Select the Appropriate Vault-Pak™:

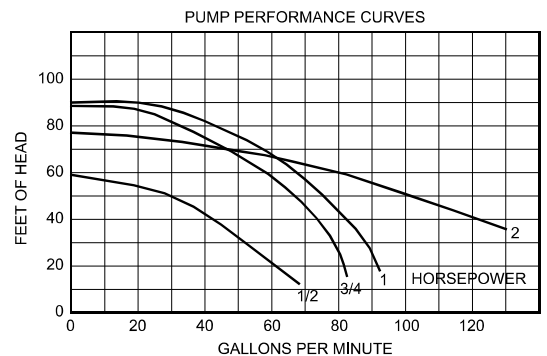
1. Determine the total flow requirement by combining the total flow rate (GPM) required by all nozzles, then add 20 GPM for the filter, plus a 10% safety factor.
2. Determine the total pump pressure requirement by taking the single highest nozzle head pressure requirement and adding a system friction loss allowance. An allowance of 25 feet of head pressure is adequate for simple piping systems with piping runs no longer than 75 feet. If the fountain system contains pools of different elevations, long piping runs, or more than a few nozzles, it is recommended that the pump pressure requirement be fully calculated.
3. Locate the point on the performance chart where the total flow determined in **Step 1** and the total head pressure requirement determined in **Step 2**, intersect. Any pump performance curve that passes above this point can be used. If this point is on or very near a curve, it is recommended that the next higher curve be used.

Installation Information: For additional information on selection and installation of equipment, see the Technical & Safety section, Page 109.



Model Number	Pump HP	Max. GPM @ 50' Hd.	Max. LPM ¹ @ 1.5 Bar	Required Amperage	
				115VAC/ 60Hz	230VAC/ 60Hz
PFV-AC050	1/2	30	113	10	5
PFV-AC075	3/4	65	246	14	7
PFV-AC100	1	75	283	16	8
PFV-AC200	2	100	378	N/A	12

¹Data are for 60 Hertz pumps.



Cartridge Filtration

The Skid-Pak™ with its integral cartridge filter is a cost-effective pre-engineered equipment package for small to medium water features. Its small footprint requires minimal equipment room space and its efficient layout makes it easy to maintain and service.



Standard Features:

- Single piece, all welded steel frame with integral mounting pads and a corrosion resistant finish.
- 50 square foot cartridge filter with spare element for fountains up to 7,500 gallons.
- Thermally protected pump.
- All necessary isolation and check valves.
- Pressure gauge.
- Power distribution panel and time clock.
- Skid mounted maintenance procedures for all equipment.

Optional Features:

- To add one 120 volt GFCI protected lighting circuit (rated at 1,800 watts) with one time clock, add suffix **-L1** to catalog number.
- To add two 120 volt GFCI protected lighting circuits (rated at 1,800 watts each) with one time clock, add suffix **-L2** to catalog number.

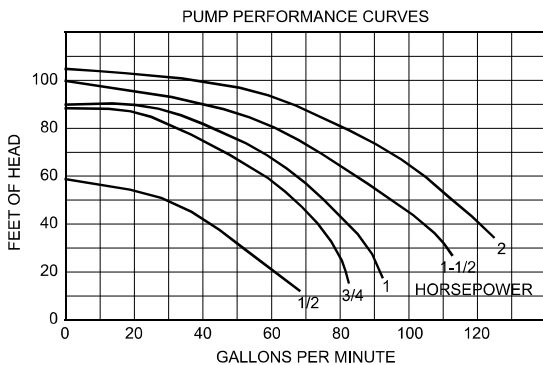
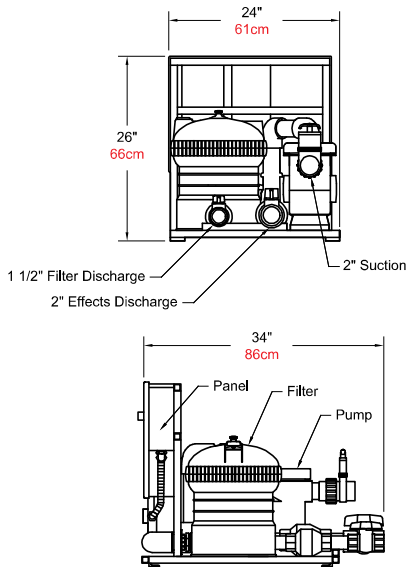
Note: Add 20 Amps for each lighting circuit added to Required Amperage listed in chart, below.

- For a stainless steel skid, add suffix **-SS** to catalog number.

To Select the Appropriate Vault-Pak™:

1. Determine the total flow requirement by combining the total flow rate (GPM) required by all nozzles, then add 20 GPM for the filter, plus a 10% safety factor.
2. Determine the total pump pressure requirement by taking the single highest nozzle head pressure requirement and adding a system friction loss allowance. An allowance of 25 feet of head pressure is adequate for simple piping systems with piping runs no longer than 75 feet. If the fountain system contains pools of different elevations, long piping runs, or more than a few nozzles, it is recommended that the pump pressure requirement be fully calculated.
3. Locate the point on the performance chart where the total flow determined in **Step 1** and the total head pressure requirement determined in **Step 2**, intersect. Any pump performance curve that passes above this point can be used. If this point is on or very near a curve, it is recommended that the next higher curve be used.

Installation Information: Provide adequate ventilation and drainage in the equipment room to protect it from moisture and excessive heat. Allow a minimum 12" clearance area around the skid for ease of installation and maintenance. Allow 36" in front of the panel for electrical code clearance. For additional information on selection and installation of equipment, see the Technical & Safety section, Page 109.



Model Number	Pump HP	Max. GPM @ 50' Hd.	Max. LPM ¹ @ 1.5 Bar	Required Amperage	
				115VAC/ 60Hz	230VAC/ 60Hz
PFF-AC050	1/2	30	113	10	5
PFF-AC075	3/4	65	246	14	7
PFF-AC100	1	75	283	16	8
PFF-AC150	1 1/2	85	321	20	10
PFF-AC200	2	110	416	N/A	12

¹Data are for 60 Hertz pump.

The AF Vault is designed to provide a selection of equipment options that will meet the needs of most small to medium fountain installations. Top access and an efficient design make it easy to adjust, service, or repair.

Standard Features:

- Heavy-duty FRP enclosure with 2" floor drain.
- Structurally engineered and certified for in-ground installation.
- Thermally protected pumps.
- Forced air ventilation system.
- Sand filter with multi-port valve.
- Lockable lid with lock-open arm, stainless steel lock hasp, and stainless steel hinge.
- Stainless steel anchors and tie-down cables.
- Wall mounted maintenance procedures for all equipment.

Optional Features:

- Stainless steel floor door.
- Choice of 18", 24", or 30" sand filter with multi-port valve.
- CPL-3000T Fountain Control Panel (see pg. 86).
- 3/4" water fill station with solenoid valve, water hammer arrestor, and hose bib.
- 1" water fill station with solenoid valve, pressure reducing valve, water hammer arrestor, and hose bib.
- Silver ion water treatment system.

Options are not available in all vault configurations. For equipment specification data or design assistance, contact us at (512)392-1155 or design@fountainpeople.com.



Available Pumping Systems

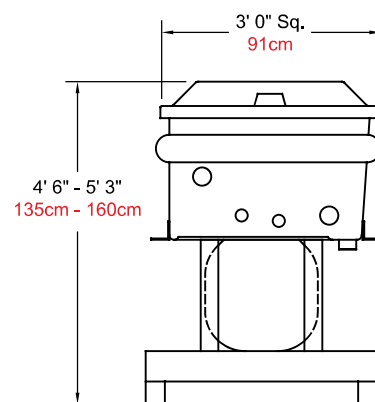
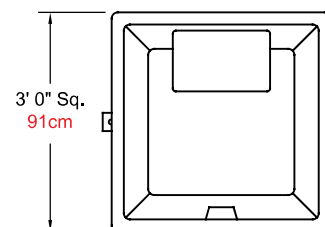
Model Number	Max. GPM @ 50' Hd.	Max. LPM ¹ @ 1.5 Bar	Pump(s) HP	Electrical
PFV-AFC050	30	113	(1) 1/2	120/240V, 1Ø, 60Hz
PFV-AFC075	65	246	(1) 3/4	
PFV-AFC100	75	283	(1) 1	
PFV-AFC200	100	378	(1) 2	
PFV-AFC202	150	567	(2) 1	
PFV-AFC300	175	662	(1) 1 (1) 2	
PFV-AFC400	200	757	(2) 2	

¹Data are for 60 Hertz pumps.

Filter Options

Type	Tank Size	Max. Filter Rate (GPM)	Max. Filter Rate ¹ (LPM)
Sand	18"	35	132
	24"	63	238
	30"	98	370

¹Data are for 60 Hertz pumps.



The AC Vault is designed to provide a selection of equipment options that will meet the needs of most small to medium fountain installations. Top access and an efficient design make it easy to adjust, service, or repair.



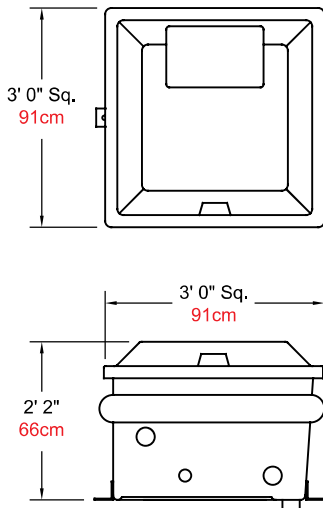
Standard Features:

- Heavy-duty FRP enclosure with 2" floor drain.
- Structurally engineered and certified for in-ground installation.
- Thermally protected pumps.
- Forced air ventilation system.
- Lockable lid with lock-open arm, stainless steel lock hasp, and stainless steel hinge.
- Wall mounted maintenance procedures for all equipment.

Optional Features:

- Stainless steel floor door.
- 25 or 50 square foot cartridge filter with spare filter element.
- CPL-3000T Fountain Control Panel (see pg. 86).
- 3/4" water fill station with solenoid valve, water hammer arrestor, and hose bib.
- 1" water fill station with solenoid valve, pressure reducing valve, water hammer arrestor, and hose bib.
- Silver ion water treatment system.

Options are not available in all vault configurations. For equipment specification data or design assistance, contact us at (512)392-1155 or design@fountainpeople.com.



Available Pumping Systems

Model Number	Max. GPM @ 50' Hd.	Max. LPM ¹ @ 1.5 Bar	Pump(s) HP	Electrical
PFV-ACC050	30	113	(1) ^{1/2}	120/240V, 1Ø, 60Hz
PFV-ACC075	65	246	(1) ^{3/4}	
PFV-ACC100	75	283	(1)1	
PFV-ACC200	100	378	(1)2	
PFV-ACC202	150	567	(2)1	
PFV-ACC300	175	662	(1)1	
			(1)2	
PFV-ACC400	200	757	(2)2	

¹Data are for 60 Hertz pumps.

Filter Options

Type	Tank Size	Filter Rate (GPM)	Filter Rate (LPM) ¹
Cartridge	25SF	10	37
Cartridge	50SF	20	75

¹Data are for 60 Hertz pumps.

The versatile D Vault has been designed to offer a wider selection of recirculation pumps and filtration equipment and controls than our smaller vaults. Full top access to all equipment makes this unit east to adjust, maintain, or repair.

Standard Features:

- Heavy-duty FRP enclosure with 2" floor drain.
- Structurally engineered and certified for in-ground installation.
- Thermally protected pumps.
- Forced air ventilation system.
- Lockable lid with lock-open arm, stainless steel lock hasp, and stainless steel hinge.
- Stainless steel anchors and tie-down cables.
- Wall mounted maintenance procedures for all equipment.

Optional Features:

- Stainless steel floor door.
- Main pump strainers.
- Choice of 18", 24", or 30" sand filter with multi-port valve or 25 or 50 square foot cartridge filter with spare filter element.
- 'Pop-up' UL Listed control panel for full system control.
- Pressure and vacuum gauges.
- 3/4" water fill station with solenoid valve, water hammer arrestor, and hose bib with hose.
- 1" - 2" water fill station with solenoid valve, pressure reducing valve, water hammer arrestor, and hose bib with hose.
- Silver ion water treatment system.
- Ozonation systems.
- Low pressure shut-off.
- Automatic sump pump.

Options are not available in all vault configurations. For equipment specification data or design assistance, contact us at (512)392-1155 or design@fountainpeople.com.



Available Pumping Systems

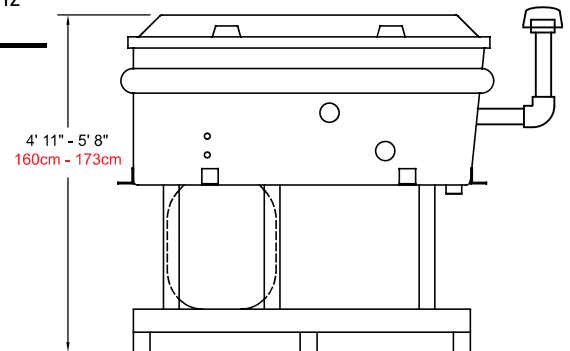
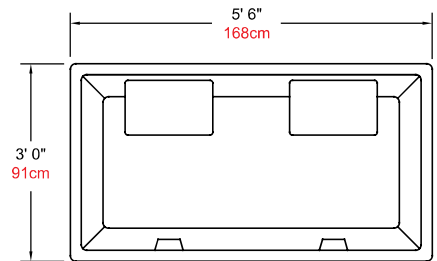
Model Number	Max. GPM @ 40' Hd.	Max. LPM ¹ @ 1.2 Bar	Main Pump HP	Electrical
PFV-D300	165	624	3	120/240V, 1Ø, 60Hz
PFV-D400	200	757	4	120/208V, 3Ø, 60Hz
PFV-D500	220	832	5	

¹Data are for 60 Hertz pumps.

Filter Options

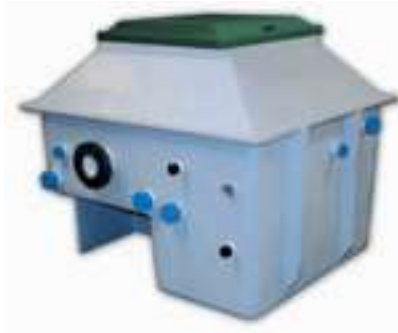
Pump HP	Type	Tank Size	Filter Rate (GPM)	Filter Rate (LPM) ¹
1/2	Sand	18"	35	132
3/4	Sand	24"	63	238
1 1/2	Sand	30"	98	370
1/2	Cartridge	25SF	10	37
1/2	Cartridge	50SF	20	75

¹Data are for 60 Hertz pumps.



B Vault

The cost-effective B Vault offers the equipment selection and performance of much larger vaults. Access is through the top hatch for maintenance, adjustment, or repair.



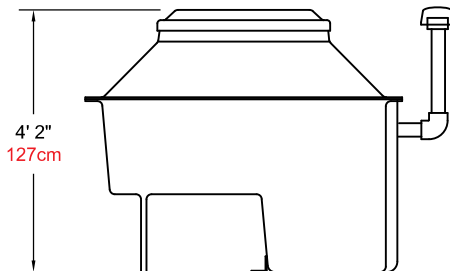
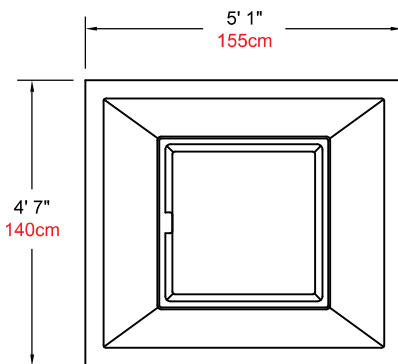
Standard Features:

- Heavy-duty FRP enclosure.
- Structurally engineered and certified for in-ground installation.
- Thermally protected pumps.
- Forced air ventilation system.
- Automatic sump pump.
- Lockable lid with lock-open arm, stainless steel lock hasp, and stainless steel hinge.
- Stainless steel anchors and tie-down cables.
- Wall mounted maintenance procedures for all equipment.

Optional Features:

- Stainless steel floor door.
- Main pump strainers.
- Choice of 16" or 19" sand filter with multi-port valve or 50 to 120 square foot cartridge filter with spare filter element.
- 'Pop-up' UL Listed control panel for full system control.
- Pressure and vacuum gauges.
- 3/4" water fill station with solenoid valve, water hammer arrestor, and hose bib with hose.
- 1" - 1 1/2" water fill station with solenoid valve, pressure reducing valve, water hammer arrestor, and hose bib with hose.
- Silver ion water treatment system.
- Ozonation systems.
- Low pressure shut-off.

Options are not available in all vault configurations. For equipment specification data or design assistance, contact us at (512)392-1155 or design@fountainpeople.com.



Available Pumping Systems

Model Number	Max. GPM @ 40' Hd.	Max. LPM ¹ @ 1.2 Bar	Main Pump HP	Electrical
PFV-B300	165	624	3	120/240V, 1Ø, 60Hz
PFV-B400	200	757	4	120/208V, 3Ø, 60Hz
PFV-B500	360	1,362	5	
PFV-B750	500	1,892	7.5	

¹Data are for 60 Hertz pumps.

Filter Options

Pump HP	Type	Tank Size	Max. Filter Rate (GPM)	Max. Filter Rate (LPM) ¹
1/2	Sand	16"	30	113
3/4	Sand	19"	36	136
1/2	Cartridge	50SF	20	75
1/2	Cartridge	75SF	30	113
3/4	Cartridge	100SF	45	170
1	Cartridge	120SF	75	283

¹Data are for 60 Hertz pumps.

The versatile E Vault is designed to incorporate a full selection of controls, recirculation pumps, filtration, and water treatment systems. Top hatch ladder access and efficient interior layout make it easy to maintain.

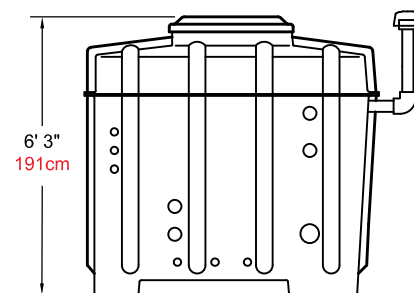
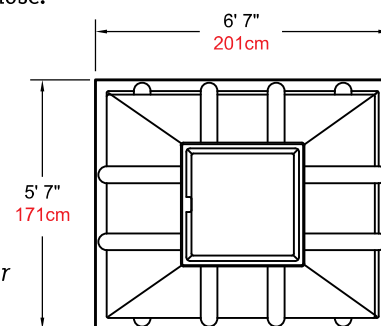
Standard Features:

- Heavy-duty FRP enclosure.
- Structurally engineered and certified for in-ground installation.
- Full electrical clearance per NEC Standards.
- Thermally protected pumps.
- Forced air ventilation system.
- Automatic sump pump.
- Interior heavy-duty light fixtures.
- OSHA approved fiberglass ladder.
- Non-skid rubber floor mat.
- Lockable lid with lock-open arm, stainless steel lock hasp, and stainless steel hinge.
- Stainless steel anchors and tie-down cables.
- Wall mounted maintenance procedures for all equipment.

Optional Features:

- Stainless steel floor door.
- Hatch extensions.
- Main pump strainers.
- Choice of 18" or 24" sand filter with multi-port valve or 50 to 300 square foot cartridge filter with spare filter element.
- 'Pop-up' UL Listed control panel for full system control.
- Pressure and vacuum gauges.
- 3/4" water fill station with solenoid valve, water hammer arrestor, and hose bib with hose.
- 1" - 2" water fill station with solenoid valve, pressure reducing valve, water hammer arrestor, and hose bib with hose.
- Fully automated water treatment systems.
- Silver ion water treatment system.
- Ozonation systems.
- Low pressure shut-off.
- Maintenance monitors and alarms.

Options are not available in all vault configurations. For equipment specification data or design assistance, contact us at (512)392-1155 or design@fountainpeople.com.



Available Pumping Systems

Model Number	Max. GPM @ 40' Hd.	Max. LPM ¹ @ 1.2 Bar	Main Pump HP	Electrical
PFV-E500	325	1,230	3	120/240V, 1Ø, 60Hz
PFV-E750	450	1,703	5	120/208V, 3Ø, 60Hz
PFV-E1000	550	2,081	10	460V, 3Ø, 60Hz
PFV-E1500	750	2,839	15	

¹Data are for 60 Hertz pumps.

Filter Options

Pump HP	Type	Tank Size	Max. Filter Rate (GPM)	Max. Filter Rate (LPM) ¹
1/2	Sand	18"	30	132
3/4	Sand	24"	63	238
1/2	Cartridge	50SF	20	75
1/2	Cartridge	80SF	30	113
3/4	Cartridge	120SF	45	170
3/4	Cartridge	160SF	60	227
1	Cartridge	200SF	75	283
2	Cartridge	300SF	112	423

¹Data are for 60 Hertz pumps.

C Vault

The C Vault offers higher volume recirculation pumps with motorized filtration. It is designed primarily for flooded end suction pumps with strainers, as appropriate to the water feature design. It is easy to enter for maintenance or repair.

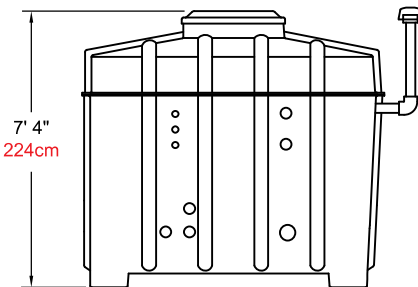
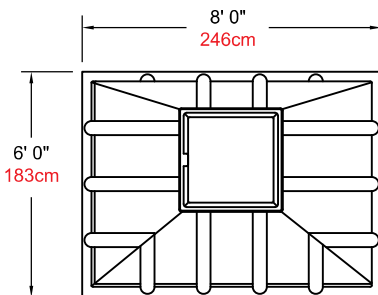
Standard Features:

- Heavy-duty FRP enclosure.
- Structurally engineered and certified for in-ground installation.
- Full electrical clearance per NEC Standards.
- Thermally protected pumps.
- Forced air ventilation system.
- Automatic sump pump.
- Interior heavy-duty light fixtures.
- OSHA approved fiberglass ladder.
- Non-skid rubber floor mat.
- Lockable lid with lock-open arm, stainless steel lock hasp, and stainless steel hinge.
- Stainless steel anchors and tie-down cables.
- Wall mounted maintenance procedures for all equipment.

Optional Features:

- Stainless steel floor door.
- Hatch extensions.
- Main pump strainers.
- Choice of 18" or 24" sand filter with multi-port valve or 50 to 300 square foot cartridge filter with spare filter element.
- 'Pop-up' UL Listed control panel for full system control.
- Pressure and vacuum gauges.
- 3/4" water fill station with solenoid valve, water hammer arrestor, and hose bib with hose.
- 1"- 2" water fill station with solenoid valve, pressure reducing valve, water hammer arrestor, and hose bib with hose.
- Fully automated water treatment systems.
- Silver ion water treatment system.
- Ozonation systems.
- Low pressure shut-off.
- Maintenance monitors and alarms.

Options are not available in all vault configurations. For equipment specification data or design assistance, contact us at (512)392-1155 or design@fountainpeople.com.



Available Pumping Systems

Model Number	Max. GPM @ 40' Hd.	Max. LPM ¹ @ 1.2 Bar	Main Pump HP	Electrical
PFV-C1500	900	3,406	15	120/240V, 1Ø, 60Hz
PFV-C2000	1300	4,921	20	
PFV-C2500	1600	6,056	25	120/208V, 3Ø, 60Hz 460V, 3Ø, 60Hz
PFV-C3000	2000	7,570	30	
PFV-C4000	2400	9,084	40	
PFV-C5000	2700	10,220	50	

¹Data are for 60 Hertz pumps.

Filter Options

Pump HP	Type	Tank Size	Max. Filter Rate (GPM)	Max. Filter Rate (LPM) ¹ .
1/2	Sand	18"	30	132
3/4	Sand	24"	63	238
1/2	Cartridge	50SF	20	75
1/2	Cartridge	80SF	30	113
3/4	Cartridge	120SF	45	170
3/4	Cartridge	160SF	60	227
1	Cartridge	200SF	75	283
2	Cartridge	300SF	112	423

¹Data are for 60 Hertz pumps.

The G Vault is our largest standard vault. Motorized filtration, full controls, and up to 10,000 GPM; **37,854 LPM** make this unit a powerhouse. Standard top hatch ladder access and efficient interior layout make it easy to maintain.

Standard Features:

- Heavy-duty FRP enclosure.
- Structurally engineered and certified for in-ground installation.
- Full electrical clearance per NEC Standards.
- Thermally protected pumps.
- Forced air ventilation system.
- Automatic sump pump.
- Interior heavy-duty light fixtures.
- OSHA approved fiberglass ladder.
- Non-skid rubber floor mat.
- Lockable lid with lock-open arm, stainless steel lock hasp, and stainless steel hinges.
- Stainless steel anchors and tie-down cables.
- Wall mounted maintenance procedures for all equipment.

Optional Features:

- Stainless steel floor door.
- Hatch extensions.
- Main pump strainers.
- Choice of 18", 24", or 30" sand filter with multi-port valve or 50 to 450 square foot cartridge filter with spare filter element.
- 'Pop-up' UL Listed control panel for full system control.
- Pressure and vacuum gauges.
- 3/4" water fill station with solenoid valve, water hammer arrestor, and hose bib with hose.
- 1" - 2" water fill station with solenoid valve, pressure reducing valve, water hammer arrestor, and hose bib with hose.
- Fully automated water treatment systems.
- Silver ion water treatment system.
- Ozonation systems.
- Low pressure shut-off.
- Maintenance monitors and alarms.

Options are not available in all vault configurations. For equipment specification data or design assistance, contact us at (512)392-1155 or design@fountainpeople.com.



Available Pumping Systems

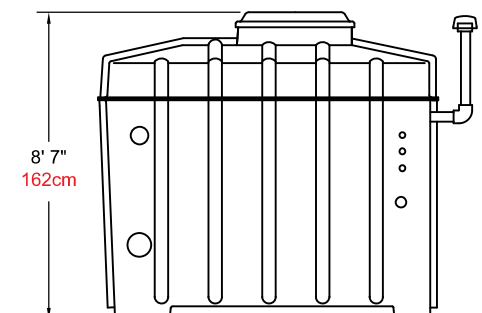
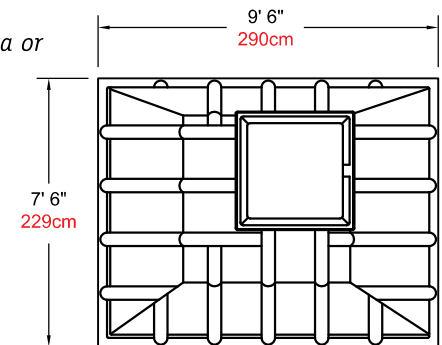
Model Number	Max. GPM @ 40' Hd.	Max. LPM ¹ @ 1.2 Bar	Main Pump HP	Electrical
PFV-G5000	4,000	15,141	50	120/240V, 1Ø, 60Hz
PFV-G7500	6,000	22,712	75	120/208V, 3Ø, 60Hz
PFV-G100K	8,000	30,283	100	460V, 3Ø, 60Hz
PFV-G150K	10,000	37,854	150	

¹Data are for 60 Hertz pumps.

Filter Options

Pump HP	Type	Tank Size	Max. Filter Rate (GPM)	Max. Filter Rate (LPM) ¹
1/2	Sand	18"	35	132
3/4	Sand	24"	63	238
2	Sand	30"	98	370
1/2	Cartridge	50SF	20	75
1/2	Cartridge	80SF	30	113
3/4	Cartridge	120SF	45	170
3/4	Cartridge	160SF	60	227
1	Cartridge	200SF	75	283
2	Cartridge	300SF	112	423
3	Cartridge	450SF	168	635

¹Data are for 60 Hertz pumps.



F Vault

The F Vault is a full top access unit designed to provide high pump performance with minimum frills. It is ideal for high volume installations with limited budgets. Recommended for use with Fountain People Basin Suction Strainers (see pgs. 75-76).

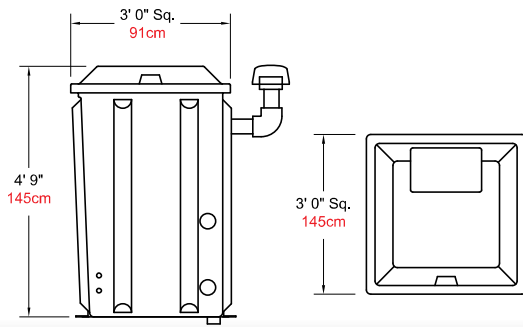
Standard Features:

- Heavy-duty FRP enclosure with 2" floor drain.
- Structurally engineered and certified for in-ground installation.
- Forced air ventilation system.
- Pressure and vacuum gauges.
- Lockable lid with lock-open arm, stainless steel lock hasp, and stainless steel hinge.
- Stainless steel anchors and tie-down cables.

Optional Features:

- Stainless steel floor door.
- 'Pop-up' UL Listed control panel for full system control.
- Automatic sump pump.

For equipment specification data or design assistance, contact us at (512)392-1155 or design@fountainpeople.com.



Available Pumping Systems

Model Number	Max. GPM @ 30' Hd.	Max. LPM ¹ @ .90 Bar	Pump HP	Electrical
PFV-F500	500	1892	5	120/240V, 1Ø, 60Hz
	Max. GPM @ 40' Hd.	Max. LPM ¹ @ 1.2 Bar		120/208V, 3Ø, 60Hz
PFV-F750	600	2,271	7½	460V, 3Ø, 60Hz
PFV-F1000	800	3,028	10	

¹Data are for 60 Hertz pumps.

H Vault

The H Vault is a full top access, minimum frills unit designed to provide even higher pump performance than the F Vault. It is ideal for high volume installations with limited budgets. Recommended for use with Fountain People Basin Suction Strainers (see pgs. 75-76).

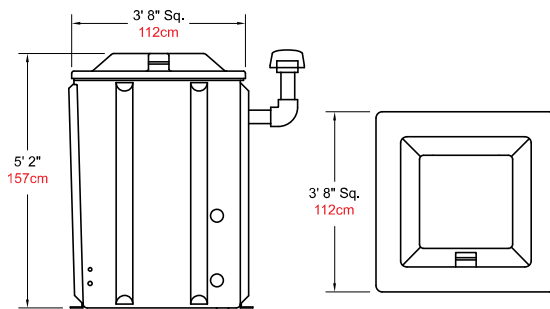
Standard Features:

- Heavy-duty FRP enclosure with 2" floor drain.
- Structurally engineered and certified for in-ground installation.
- Forced air ventilation system.
- Pressure and vacuum gauges.
- Lockable lid with lock-open arm, stainless steel lock hasp, and stainless steel hinge.
- Stainless steel anchors and tie-down cables.

Optional Features:

- Stainless steel floor door.
- 'Pop-up' UL Listed control panel for full system control.
- Automatic sump pump.

For equipment specification data or design assistance, contact us at (512)392-1155 or design@fountainpeople.com.



Available Pumping Systems

Model Number	Max. GPM @ 40' Hd.	Max. LPM ¹ @ 1.2 Bar	Main Pump HP	Electrical
PFV-H1000	950	3,596	10	120/240V, 1Ø, 60Hz
PFV-H1500	1,200	4,542	15	120/208V, 3Ø, 60Hz
PFV-H2000	1,500	5,678	20	460V, 3Ø, 60Hz

¹Data are for 60 Hertz pumps.

For Acid or Tablet Chlorine

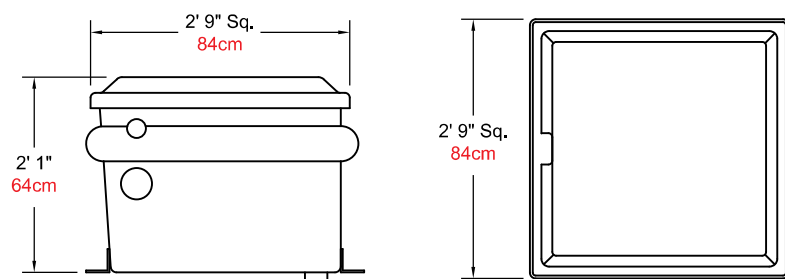
The WTA-A20 Vault is a top access unit that is designed to house either liquid acid or an erosion type chlorinator.

Standard Features:

- Heavy-duty FRP enclosure with 2" floor drain.
- Structurally engineered and certified for in-ground installation.
- Valve assembly and metering pump.
- 2" floor drain.
- Lockable lid with lock-open arm, stainless steel lock hasp, and stainless steel hinge.

Optional Features:

- Stainless steel floor door.



For Liquid Chlorine

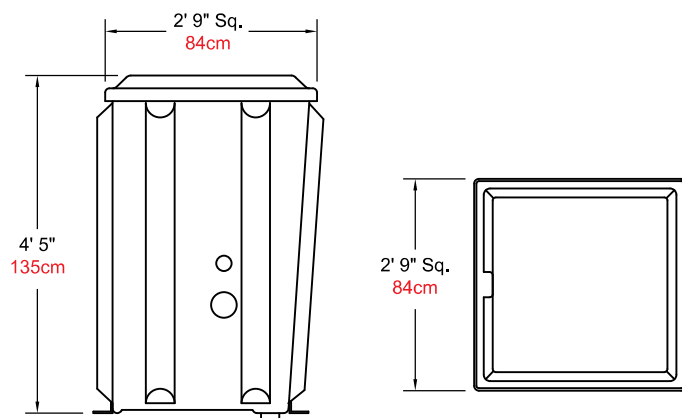
The WTC-C50 Vault is a full top access unit designed to house a 50-gallon drum of liquid chlorine for water treatment systems.

Standard Features:

- Heavy-duty FRP enclosure.
- Structurally engineered and certified for in-ground installation.
- Valve assembly and metering pump.
- 2" floor drain.
- Lockable lid with lock-open arm, stainless steel lock hasp, and stainless steel hinge.

Optional Features:

- Stainless steel floor door.



Custom Skids

Where an equipment room is available Fountain People Skids provide a modular solution to equipment installation. Using only the best components, they set the industry standard for quality construction.



General:

- Fully factory assembled and delivered to the project ready for installation.
- Standard skid width 32" to allow access through 3'-0" doors.
- All welded steel construction finished with an industrial coating system.
- Incorporates system valves and manifolds.
- Pre-wired Motor Starters and Disconnects.

Pumping Stations:

- Single and dual pump configurations.
- Flooded end suction and self-priming pumps.

Filtration/Water Treatment Stations:

- Sand or Cartridge filters including pumps.
- Incorporates system valves and manifolds.

Options:

- Stainless steel skid construction.
- Hot dip galvanized skid construction.
- Stainless steel manifolds and piping.
- Copper manifolds and piping.
- Water Treatment Systems.
- Water Fill Stations.

Reservoirs

Fountain People, Inc. offers a wide selection of reservoirs for use as recirculation or holding tanks. All units are of strong, durable fiberglass reinforced polyester (FRP) construction for long life.



Standard Features:

- Heavy-duty FRP construction.
- Structurally engineered and certified for in-ground installation.
- Flanged or pipe connections, as required.
- Standard sizes from 300 gallons to 5,000 gallons.
- Vertical and horizontal configurations.
- Lockable lid with lock-open arm, stainless steel lock hasp, and stainless steel hinge.

Optional Features:

- Stainless steel floor door.
- Pre-installed sensors, overflows, and automatic sump pumps.
- Hatch extensions.
- Top mounted drain grates.
- Access ladders.



The Waterbox™ Submersible Fountain System is a complete pre-assembled, self-contained unit designed for installation in a concrete pool floor. Simply place the unit in position - with the top surface at the elevation of the finished pool floor - make electrical, piping, and drain connections, secure for concrete pour, and pour.

Standard Features:

- Housing is heavy-duty FRP (WB-16/22) or ABS (WB-12).
- Includes pump(s), junction box, potting compound, and regulating valve.
- Drain fitting has an extended "T" handle for ease of maintenance.
- Pumps and junction boxes are U.L. Listed for fountain applications.

Selecting the Appropriate Waterbox™:

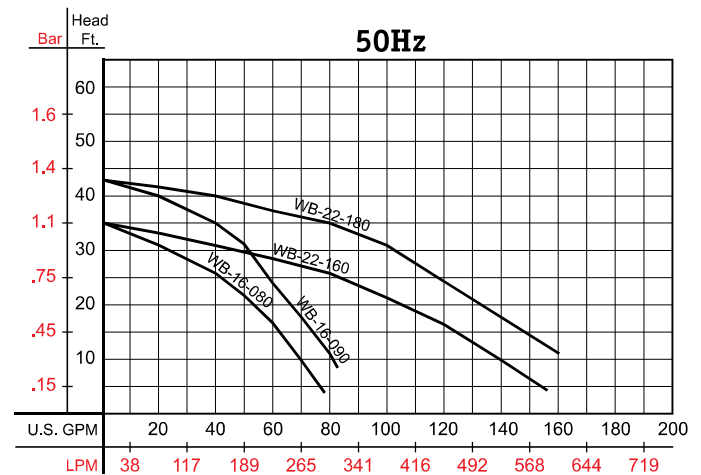
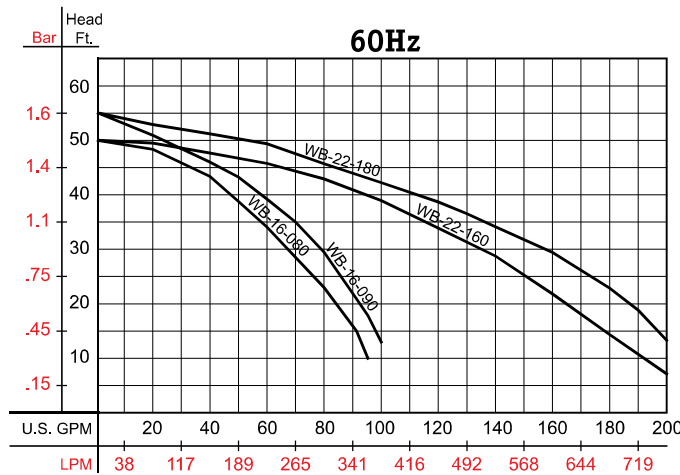
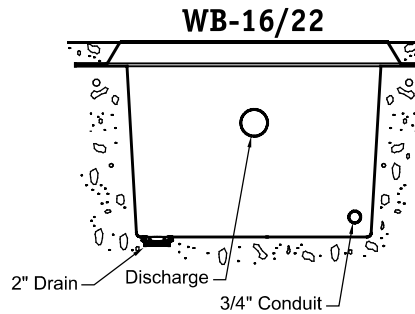
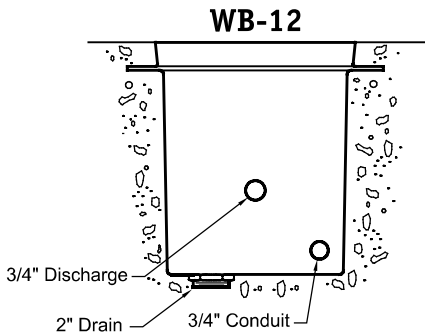
- Use the WB-12 for wall fountains and other low demand features.
- Use the WB-16 and WB-22 with bowl fountains and stream and waterfall features.



WB-12



WB-16/22



Model Number	Dimensions		Max. GPM	@ Ft. Hd.	Amps @ 115V/1Ø 60Hz
	A Inches	B Inches			
WB-12	16	14½	14	15	5
WB-16-080	13¾	27½	80	15	14
WB-16-090	13¾	27½	90	20	8*
WB-22-160	18¾	33½	160	15	28
WB-22-180	18¾	33½	180	20	16*

*Unit requires 240V/1Ø/60Hz

Model Number	Dimensions		Max. LPM	@ Bar	Amps @ 110V/1Ø 50Hz
	A Inches	B Inches			
WB-16-080/50	13¾	27½	80	15	10
WB-16-090/50	13¾	27½	90	20	5.8*
WB-22-160/50	18¾	33½	160	15	20
WB-22-180/50	18¾	33½	180	20	11.6*

*Unit requires 220V/1Ø/50Hz



Technical & Safety

Electrical Safety Check List : 110

Component Check List : 111

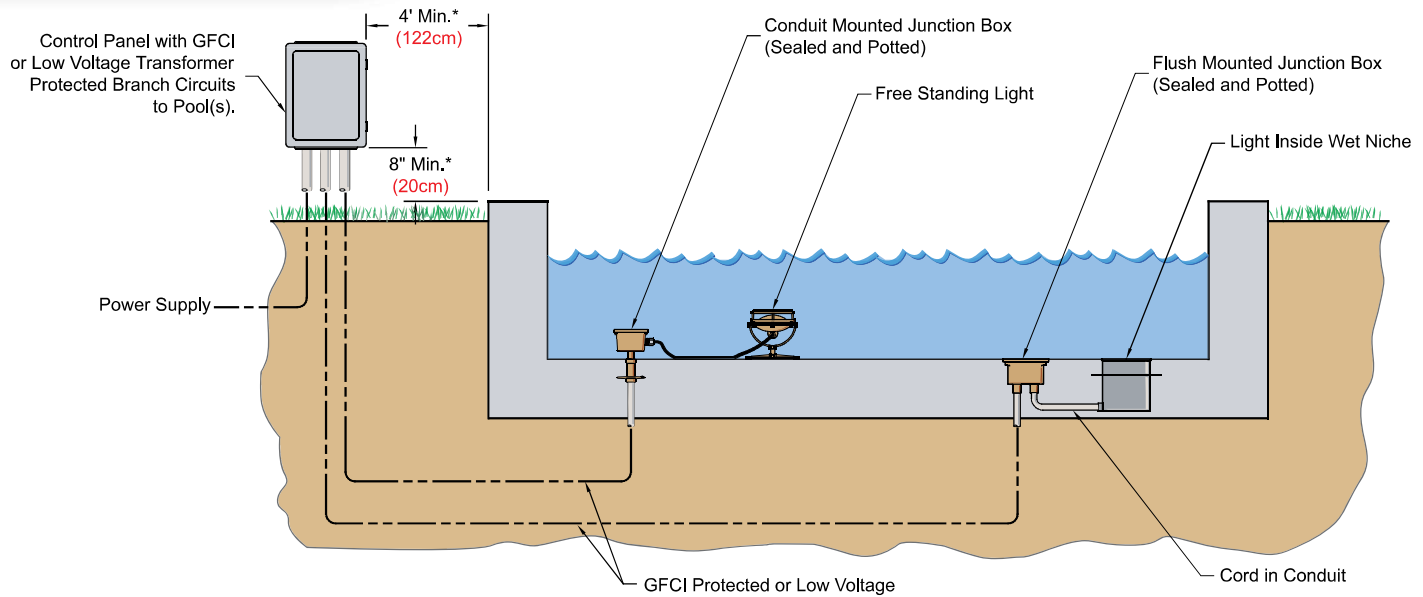
Conversion Factors : 112

Request for Quotation : 113

Product Index : 114

Electrical Safety Check List

(*Recommended)



The following check list meets or exceeds the requirements of the U.S. National Electrical Code (NEC), Article 680, and is provided as a design aid. Be certain to check your local code requirements before finalizing your design or beginning installation.

Protect Electrical Circuits

A Class A ground fault circuit interrupter (GFCI) is required for all circuits supplying power to fountain equipment located within pools and operating above 15 volts. Equipment operating at less than 15 volts should be powered by a transformer that is listed and rated for the application.

Protect Lighting Fixtures

Underwater light fixtures are required to have a lens guard if the lens is pointed upward, or by either a low water cut-off mechanism or an internal thermal cut-off device to prevent damage from overheating. Freestanding fixtures which are subject to turbulence should be anchored to the pool floor or otherwise secured.

Allow Access for Relamping and Maintenance

Underwater light fixtures must be installed with sufficient cord length to allow removal from the water for relamping and maintenance. Exposed electrical cord within the pool must not exceed ten feet on all underwater electrical equipment.

Provide Suitable Junction Boxes and Strain Relief

Underwater junction boxes must have threaded conduit entries and compression type strain relief seals for underwater light or submersible pump cord entry.

Provide Adequate Junction Box Support

Electrical stub-ups for conduit mounted junction boxes must be of red brass pipe. Non-metallic conduit may not be used for conduit mounted junction box support.

Seal and Pot Junction Boxes

Underwater junction boxes, or junction boxes located outside of the pool that are below water level, must be completely potted using an approved compound. Conduit entries must be sealed prior to potting to prevent the potting compound from entering the conduit system. See Potting Compound, pg. 68.

Protect Control Panel from Moisture

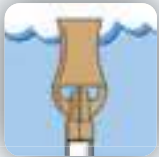
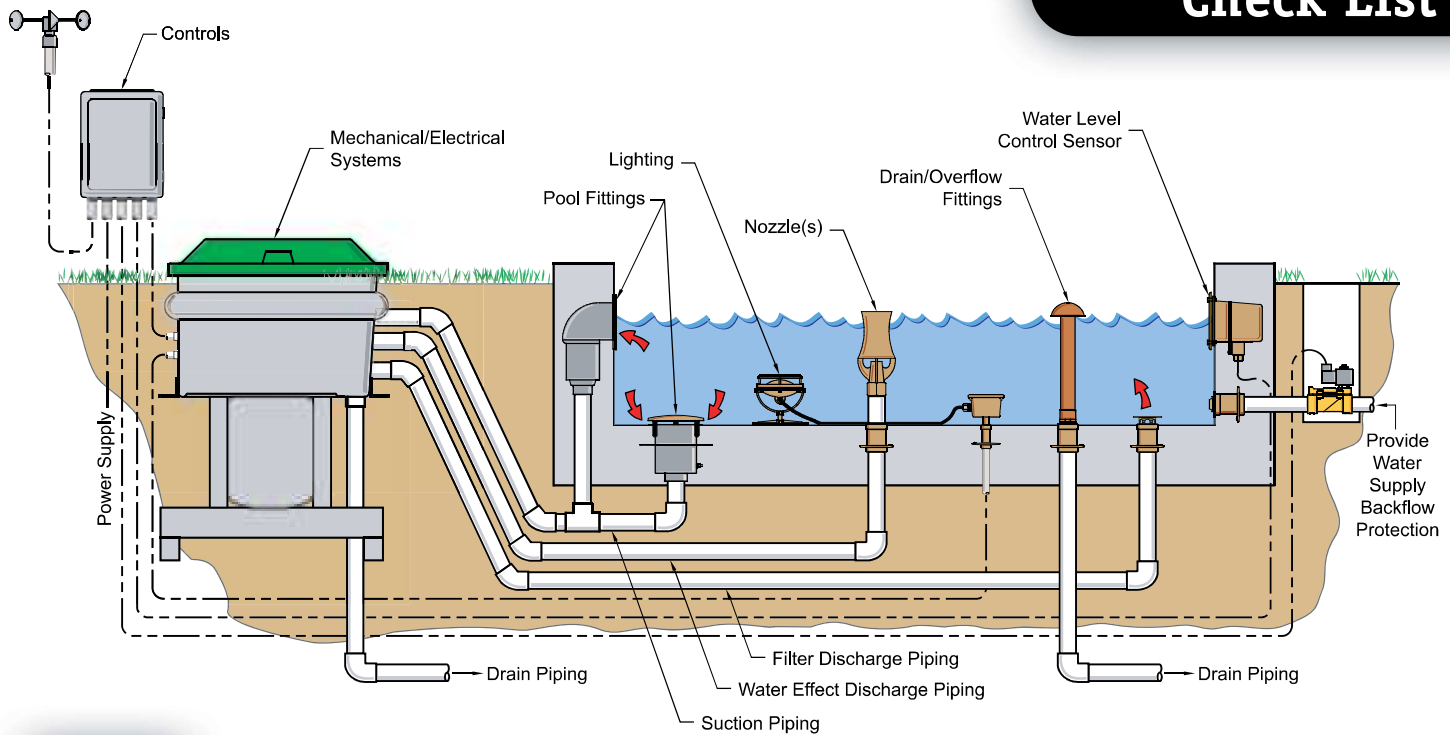
Conduit between the pool and control panels and intermediate junction boxes must be sealed to prevent the entry of moisture into the panels.

Use Suitable Wiring

Wire pulled between the fountain control panels and underwater junction boxes must be a water resistant type of stranded copper, appropriately sized for the voltage and the length of the run.

Properly Ground Equipment

All electrical equipment and metallic piping systems in or connected to the fountain must be grounded or bonded as required by the National Electrical Code and applicable local codes.



Select Water Effect

Water displays are traditionally made up of one or more fountain nozzles. Careful nozzle selection is essential to a successful design. Care should be taken to select nozzles with operating characteristics and performance that are compatible with the design of the water feature basin. See *Nozzles*, pgs. 5-35, *Fountain in a Can™*, pgs. 37-43, and *Bronze Fonts*, pgs. 45-50.



Select Lighting

Lighting can be an exciting addition to a water feature. First you will need to determine what type of underwater lighting is appropriate to your installation. Freestanding fixtures provide the greatest flexibility in placement and aiming while wet niche fixtures provide a cleaner more vandal resistant installation. See *Fountain Lighting & Accessories*, pgs. 53-69.



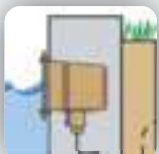
Select Pool Fittings

Suction and return fittings are used to facilitate the flow of pumped water to and from the fountain basin. These fittings include anti-vortex and diverter plates, skimmers and return fittings, and waterstops to prevent leakage from the basin at piping penetrations. A successful design requires that fittings be sized and selected based upon their required flow rates and function. See *Fittings*, pgs. 71-84.



Select Drain/Overflow Fittings

These fittings allow basins to be drained for maintenance or winterizing and prevent the fountain from overflowing. Every fountain should have the provision for drainage and at least one overflow fitting in its lowest basin. See *Fittings*, pgs. 71-84.



Select Control Systems

Control devices are available to fill and maintain water levels, to turn off equipment in low water conditions, to reduce or turn off water effects in windy conditions, and to sequence water and lighting effects. See *Controls*, pgs. 85-91.



Select Mechanical/Electrical Systems

These systems include recirculation, filtration, and power distribution and need to be selected based upon the requirements of the individual fountain design. A wide range of pre-engineered and custom modular packages are available for every design. See *Modular*, pgs. 93-107.

Need assistance in selecting the right equipment?

Contact our Design Department at (512)392-1155 or design@fountainpeople.com.

Flow Rate

	GPM	Ft ³ /min	L/min	m ³ /min
Gallons/minute	1	0.1337	3.785	0.0038
Cubic Feet/minute	7.481	1	28.32	0.0283
Liters/minute	0.2642	0.0353	1	0.0010
Cubic Meters/minute	264.2	35.31	1000	1

Volume

	gal	Ft ³	L	m ³
Gallons	1	0.1337	3.785	0.0038
Cubic Feet	7.482	1	28.32	0.0283
Liters	0.2642	0.0353	1	0.0010
Cubic Meters	264.2	35.31	1000	1

Pressure

	PSI	Ft. Hd.	In. Hg	Bar
Pounds/inch	1	2.307	2.036	14.51
Feet of Head	0.4335	1	0.8826	33.46
Inches of Mercury	0.4912	1.133	1	29.53
Bar	0.0689	0.0299	0.0339	1

Mass

	lbs	kg
Gallon of Water	8.345	18.40
Cubic Foot of Water	62.44	137.7
Liter of Water	2.205	4.862
Cubic Meter of Water	2205	4862

Horsepower

1 Horsepower = .7457 Kilowatts / Motor Efficiency

Product Index

Cat. No. : Pg.						
	EPR-96 : 25	FFD-200 : 79	FWS-100R : 83	LLP-250PHBA : 57	N-154 : 6	R-83P : 74
	EPR-120 : 25	FFD-200S : 79	FWS-125R : 83	LLP-500HBA : 57	N-210-35 : 29	R-83-3 : 74
Angel : 48	EPR-180 : 25	FFD-300 : 79	FWS-150R : 83	LLP-100PHBAX : 58	N-220-35 : 29	R-83-4 : 74
Bear : 46	EPR-240 : 25	FFD-400 : 79	FWS-200R : 83	LLP-150PHBAX : 58	N-220-25 : 29	R-83-3G : 74
Classic Shell-	EPX-125 : 22	FFS-100 : 35	FWS-300R : 83	LNN-20-MLX : 64	N-230-35 : 29	R-83-4G : 74
Sconce : 49	EPX-187 : 22	FFS-125 : 35	FWS-400R : 83	LNN-35-MLX : 64	N-230-25 : 29	R-83-3GD : 75
CLED-5 : 56	EPX-250 : 22	FFS-150 : 35	Hummingbird : 47	LNN-50-MLX : 64	N-240-35 : 29	R-83-4GD : 75
CLED-10 : 56	EPX-375 : 22	FFS-200 : 35	J-22 : 68	LNN-75-ML : 64	N-240-25 : 29	R-84P : 75
CLED-15 : 56	EPX-500 : 22	FFS-300 : 35	J-22-1 : 68	LNP-20-MLX : 60	N-300 : 32	R-84-6 : 75
CPL-3000T : 86	ESD-112A : 28	FIC-D700 : 38	J-29-2 : 68	LNP-35-MLX : 60	N-301 : 32	R-84-8 : 75
CPL-WF : 88	ESD-118A : 28	FIC-S700 : 38	JP-55-3 : 67	LNP-50-MLX : 60	N-305 : 32	R-84-6G : 76
CPL-WFC : 88	ESD-124A : 28	FIC-A1100 : 40	JP-55-4 : 67	LNP-75-ML : 60	N-306 : 32	R-84-8G : 76
CWL-002C : 89	ESM-100A : 28	FIC-B1100 : 41	JP-7 : 66	Lotus-	N-307 : 32	R-84-6GD : 76
CWL-002W : 89	ESM-150A : 28	FIC-F1100 : 39	JP-7-2 : 66	Escutcheon : 50	N-310 : 33	R-84-8GD : 76
CWL-002WD : 89	ESM-200A : 28	FIC-G1100 : 39	JP-8 : 66	LP-250-S : 59	N-311 : 33	R-85B : 76
CWS-075 : 87	ESM-300A : 28	FIC-J1100 : 41	JP-9 : 66	LP-250-M : 59	N-312 : 33	R-86B : 77
CWW-002 : 87	ESS-024 : 31	FIC-M1100 : 41	JP-10 : 66	LP-250-F : 59	N-313 : 33	RCS-075F : 68
Dolphin : 47	ESS-036 : 31	FIC-P1100 : 40	Leaf & Vine-	LP-250N-S : 63	N-314 : 33	Reservoirs : 106
Drain Cover : 50	ESS-048 : 31	FIC-W1100 : 40	Escutcheon : 50	LP-250N-M : 63	N-320 : 32	RLT-100 : 68
EAA-100AX : 14	EWS-200 : 34	FR-43N-RG : 64	Lion : 46	LP-250N-F : 63	N-325 : 32	RLT-300 : 68
EAA-150AX : 14	EWS-300 : 34	Frog : 47	LJN-1C : 90	Lumen 180™ : 55	N-330 : 33	RLT-500 : 68
EAA-200AX : 14	EWS-400 : 34	FRS-07 : 73	LJN-1 : 67	Lumen 360™ : 54	N-335 : 33	RLT-1000 : 68
EAA-300AX : 14	EXB-012 : 35	FRS-11 : 73	LJN-2 : 67	Lumen Spot™ : 55	N-350 : 18	RPC-4441 : 68
EAA-100AX-L : 14	EXB-025 : 35	FRS-13 : 73	LJN-C-11B : 66	Lumen Dot™ : 56	N-355 : 19	RVS-075G : 90
EAA-150AX-L : 14	EXB-037 : 35	FSD-150 : 80	LJN-C-21B : 66	Mediterranean-	N-360 : 19	RVS-100G : 90
EAA-200AX-L : 14	EXB-050 : 35	FSD-200 : 80	LJP-1 : 65	Scupper : 49	N-365 : 19	RVS-150G : 90
EAA-300AX-L : 14	EXB-075 : 35	FSD-300 : 80	LJP-2 : 65	N-20 : 23	N-370 : 18	RVS-200G : 90
EAB-100A : 10	EXB-100 : 35	FSK-150J : 78	LJP-C-11 : 65	N-25 : 23	NC-200 : 8	RW-56-1 : 90
EAB-150A : 10	EXB-125 : 35	FSK-400 : 78	LJP-C-21 : 65	N-77 : 27	NP-100 : 11	Rosette : 48
EAB-200A : 10	EXB-150 : 35	FWB-12 : 82	LLN-100LA : 61	N-81 : 17	NP-125 : 11	Scupper : 49
EAB-300A : 10	EXB-200 : 35	FWB-24 : 82	LLN-100HA : 61	N-110 : 20	NP-200 : 11	Shell Sconce : 49
EAC-100B : 7	EXB-300 : 35	FWB-36 : 82	LLN-150HA : 61	N-111 : 20	NS-150 : 9	Skids, Custom : 106
EAC-150B : 7	F-1035-300 : 58	FWB-48 : 82	LLN-250HA : 61	N-112 : 20	NS-200 : 9	Sun : 48
EAC-200B : 7	F-1035-500 : 58	FWD-200B : 80	LLN500HA : 61	N-113 : 20	North Wind : 47	Tiger : 46
EAC-300B : 7	F-1035-1000 : 58	FWD-200SB : 80	LLN-100PHBA : 61	N-114 : 20	Papyrus-	Wall Font : 34
EAD-075 : 16	F-1035AN-300 : 62	FWD-300B : 80	LLN-116HBA : 61	N-115 : 20	Escutcheon : 50	Water Lilies : 48
EAD-100 : 16	F-1035AN-500 : 62	FWF-100 : 82	LLN-150PHBA : 61	N-120 : 21	PFV-AF : 94	WB-12 : 107
EAD-150 : 16	F-1035AN-1000 : 62	FWF-150 : 82	LLN-250HBA : 61	N-121 : 21	PFV-AC : 95	WB-16-080 : 107
EAE-075 : 12	F-1035-LV : 59	FWF-200 : 82	LLN-250PHBA : 61	N-122 : 21	PFF-AC : 96	WB-16-090 : 107
EAE-100 : 12	F-1035AN-LV : 63	FWS-050 : 82	LLN-500HBA : 61	N-123 : 21	PFV-AFC : 97	WB-22-160 : 107
EAF-100X : 15	FAD-150 : 72	FWS-075 : 82	LLN-100PHBAX : 62	N-140 : 13	PFV-ACC : 98	WB-22-180 : 107
EAF-150X : 15	FAD-200 : 72	FWS-100 : 82	LLN-150PHBAX : 62	N-140L : 13	PFV-D : 99	WB-16-080/50 : 107
EAF-200X : 15	FAD-300 : 72	FWS-125 : 82	LLP-100LA : 57	N-141 : 13	PFV-B : 100	WB-16-090/50 : 107
EAF-300X : 15	FAD-400 : 72	FWS-150 : 82	LLP-100HA : 57	N-141L : 13	PFV-E : 101	WB-22-160/50 : 107
EFF-150 : 27	FAP-362U : 72	FWS-200 : 82	LLP-150HA : 57	N-142 : 13	PFV-C : 102	WB-22-180/50 : 107
EPA-100 : 26	FAP-662U : 72	FWS-300 : 82	LLP-250HA : 57	N-142L : 13	PFV-G : 103	WTA-A20 : 105
EPA-150 : 26	FAP-882U : 72	FWS-400 : 82	LLP-500HA : 57	N-143 : 13	PFV-F : 104	WTC-C50 : 105
EPA-200 : 26	FAP-884U : 72	FWS-050CR : 83	LLP-100PHB : 60	N-143L : 13	PFV-H : 104	
EPA-300 : 26	FAP-894U : 72	FWS-075CR : 83	LLP-116HB : 60	N-144 : 13	R-15B : 80	
EPF-200 : 17	FAP-994U : 72	FWS-100CR : 83	LLP-150PHB : 60	N-144L : 13	R-16B : 80	
EPR-18 : 25	FAS-08 : 72	FWS-125CR : 83	LLP-250HB : 60	N-145 : 13	R-16CPB : 78	
EPR-24 : 25	FDR-400-BR : 81	FWS-150CR : 83	LLP-250PHB : 60	N-145L : 13	R-18B : 79	
EPR-30 : 25	FDR-400-SS : 81	FWS-200CR : 83	LLP-500HB : 60	N-146 : 13	R-19 : 79	
EPR-36 : 25	FEC-200A : 76	FWS-300CR : 83	LLP-100PHBA : 57	N-146L : 13	R-30B : 77	
EPR-48 : 25	FES-200 : 77	FWS-400CR : 83	LLP-116HBA : 57	N-147L : 13	R-50 : 81	
EPR-60 : 25	FEV-200 : 77	FWS-050R : 83	LLP-150PHBA : 57	N150 : 6	R-51 : 81	
EPR-72 : 25	FEW-200 : 78	FWS-075R : 83	LLP-250HBA : 57	N-152 : 6	R-80C : 72	



FOUNTAIN PEOPLE, INC.

P . O . B O X 8 0 7

SAN MARCOS, TX 78667

(5 1 2) 3 9 2 - 1 1 5 5

WWW.FOUNTAINPEOPLE.COM

P R I N T E D I N U . S . A .

C O P Y R I G H T 2 0 0 4



Building Fun Since 1981SM

For three decades, Kraftsman Commercial Playground and Waterparks have enriched communities through affordable, safe play experiences that will last for generations. As innovators, we approach each project with strategic creativity, providing uncompromising quality with the best products and services available. We build engaging, interactive experiences that create economic value, connect the diversity of communities and promote the freedom of self-discovery. From the initial planning to the ribbon cutting ceremony, the team at Kraftsman provides the playground and aquatic products and designs vital to community progress and human development through safe outdoor spaces that enrich the lives of all ages who seek new adventures.

PLAYGROUNDS
& THEMED PLAY

FITNESS
& SPORTS

WATER PARKS
& FOUNTAINS

HARDSCAPES
& AMENITIES